



PDHonline Course G467 (2 PDH)

Preparing the Written Equipment Specification

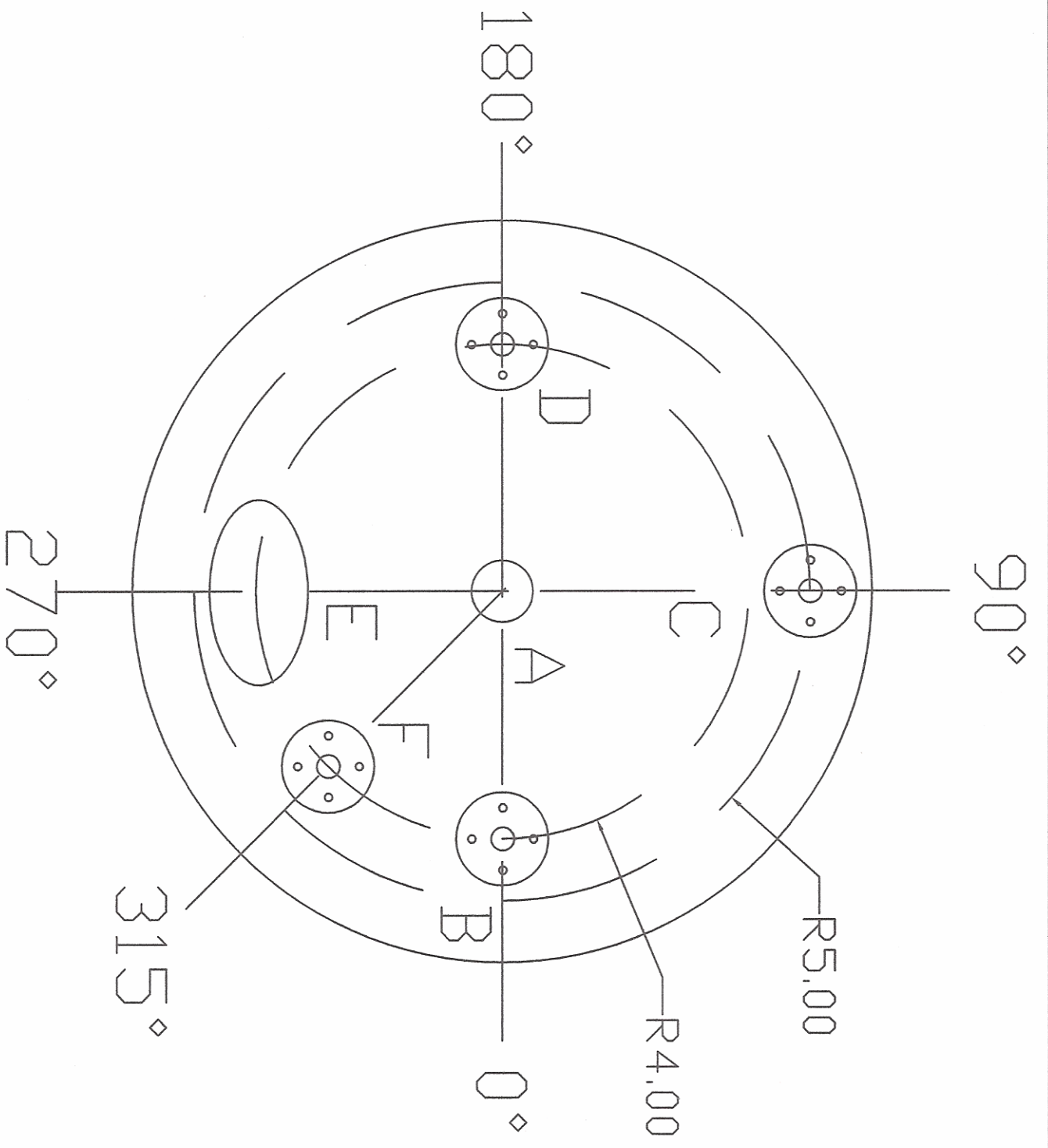
Instructor: John C. Huang, Ph.D, PE

2020

PDH Online | PDH Center

5272 Meadow Estates Drive
Fairfax, VA 22030-6658
Phone: 703-988-0088
www.PDHonline.com

An Approved Continuing Education Provider



ATTACHMENT D