



**PDHonline Course M301 (7 PDH)**

---

## **Seismic Restraints of Ducts and Pipes**

*Instructor: Steven G. Liescheidt, P.E., CCS, CCPR*

**2020**

**PDH Online | PDH Center**

5272 Meadow Estates Drive  
Fairfax, VA 22030-6658  
Phone: 703-988-0088  
[www.PDHonline.com](http://www.PDHonline.com)

An Approved Continuing Education Provider

**INSTALLING SEISMIC RESTRAINTS FOR DUCT AND PIPE**



**Notice:** This guide was prepared by the Vibration Isolation and Seismic Control Manufacturers Association (VISCMA) under a cooperative agreement between the Federal Emergency Management Agency (FEMA) and the American Society of Civil Engineers (ASCE). Any opinions, findings, conclusions, or recommendations expressed in this publication do not necessarily reflect the views of FEMA and ASCE. Additionally, neither FEMA, ASCE, VISCMA, nor any of their employees make any warranty, expressed or implied, nor assumes any legal liability or responsibility for the accuracy, completeness, or usefulness of any information, product, or process included in this publication. Users of information from this publication assume all liability arising from such use.

For additional copies of this guide, call the FEMA Distribution Center: 1-800-480-2520.

For further information concerning this guide or the activities of ASCE, contact the American Society of Civil Engineers, 1801 Alexander Bell Drive, Reston, Virginia, 20191, 703-295-6000.

For further information concerning the activities of the Vibration Isolation and Seismic Control Manufacturers Association, contact Mr. Robert Ecker, 610-971-4850.

All photos used with permission. Photos provided by:

Air Balance  
American Standard, Inc.  
California Economizer, Inc.  
DRI-STREEM Humidifier Company  
Emerson Process Management / Fisher Controls  
Greenheck Fan Corporation  
ITT Industries / Bell and Gossett  
KINETICS Noise Control

# INSTALLING SEISMIC RESTRAINTS FOR DUCT AND PIPE

January 2004



**FEMA**



**ASCE**

*Developed by the Vibration Isolation and Seismic Control Manufacturers Association under a cooperative agreement between the Federal Emergency Management Agency and the American Society of Civil Engineers*

## ACKNOWLEDGEMENTS

This guide was prepared under Cooperative Agreement EMW-2001-CO-0379 between the Federal Emergency Management Agency and the American Society of Civil Engineers. The contributions of the following are gratefully acknowledged:

### Vibration Isolation and Seismic Control Manufacturers Association (VISCMA)

Amber/Booth Company	Thybar Corporation
Kinetics Noise Control	Vibration Mountings & Controls, Inc.
Mason Industries	Vibration Eliminator Co., Inc.
M. W. Sausse & Company	

### Concrete Anchors Manufacturers Association (CAMA)

### Sheet Metal and Air Conditioning Contractors Association, Inc. (SMACNA)

### The American Society of Civil Engineers (ASCE)

#### *Project Team*

Paul Tertell, FEMA Project Officer	
Suzanne Ramsey, Project Manager	
James Carlson, Principal Investigator	
J. Marx Ayres	Michael Hagerty
James Borchers	James Henderson
Mike Callanan	Jerry Lilly
Robert H. Ecker	Bill Staehlin

#### *Consulting Advisors - Representatives of*

Amber/Booth Company	Thybar Corporation
IAPMO	Vibration Mountings & Controls, Inc.
Kinetics Noise Control	Vibration Eliminator Co., Inc.
Mason Industries, Inc.	Wej-it Fastening Systems
M. W. Sausse & Co., Inc.	

#### *Advisory Group*

Doug Fitts  
Jack Ivers  
Brett McCord  
Gary McGavin

#### *Editing and Layout*

Gary Clemmons, GC Ink  
Leslie McCasker, McCasker Consulting

#### *Illustrations*

Scott Hiner, Creative Marketing Resources

The Federal Emergency Management Agency (FEMA)

## TABLE OF CONTENTS

<b>INTRODUCTION</b>	<b>1</b>
<b>DUCT AND PIPE BRACING LAYOUT</b>	<b>3</b>
<b>DUCT/PIPE/IN-LINE EQUIPMENT BRACING SELECTION</b>	<b>8</b>
Duct Bracing Selection	8
In-line Duct-mounted Equipment Bracing Selection	10
Pipe Bracing Selection	12
In-line Pipe-mounted Equipment Bracing Selection	14
<b>DUCT BRACING DETAILS AND INSTALLATION INSTRUCTIONS</b>	<b>16</b>
Suspended Rectangular Ducts	16
Suspended Round Ducts	28
Floor-mounted Ducts	41
Roof-mounted Ducts	44
Wall- and Chase-mounted Ducts	47
Duct Penetrations	50
<b>PIPE BRACING DETAILS AND INSTALLATION INSTRUCTIONS</b>	<b>54</b>
Suspended Piping	54
Floor-mounted Piping	70
Roof-mounted Piping	73
Wall-mounted Piping	76
Pipe Penetrations	79
<b>SUSPENDED EQUIPMENT ATTACHMENT</b>	<b>84</b>
Suspended by Threaded Rods Connected to Equipment Brackets or Additional Steel Supports	84
Suspended by Steel Shapes	95
Suspended by Threaded Rods for In-line Pipe Equipment	97
<b>ATTACHMENT DETAILS CONNECTING TO BUILDING STRUCTURE</b>	<b>102</b>

## **Table of Contents**

<b>ANCHORS</b>	<b>107</b>
General Anchors	107
Cast-in-place Anchors	114
Lag Bolts	115
Masonry and Drywall Anchors	117
Power-Actuated Anchors	125
Steel Bolt Connections	126
Welding	131
Anchor Sizes for Suspended Equipment	133
<b>SPECIAL CASES</b>	<b>134</b>
Cables	134
Flexible Connections and Expansion Joints	140
Valves and Valve Actuators	144
<b>ANCHOR SELECTION GUIDE</b>	<b>148</b>
<b>GLOSSARY</b>	<b>157</b>
<b>INDEX</b>	<b>166</b>

## INTRODUCTION

This guide shows installers how to attach ducts, pipes, and associated equipment to a building to minimize earthquake damage. Many attachment examples and arrangements are presented, including anchors and the use of special devices called *seismic restraint devices*.

Seismic restraint devices include vibration isolation systems, cable or strut suspension systems, roof attachment systems, and the use of steel shapes.

Please note that this guide does not replace:

- Printed instructions shipped with the equipment.
- Instructions in construction documents and specifications. Use approved construction documents.
- Code-required, industry accepted practices.
- Safety guidelines and practices.
- Orders from your supervisor.
- Seismic restraint device submittals.

Please note that this guide does not include fire protection sprinkler, smoke and fire stops, or fire detection governed by local codes and the National Fire Protection Association.

**If you have questions about any information in this guide, check with your supervisor.**

This guide contains these sections:

- *Bracing Layout and Selection*: Organized by duct and pipe components.
- *Bracing Details and Installation*: Organized by duct and pipe components. Gives instructions on installing bracing in many different arrangements.
- *Attachments*: Contains instructions on attaching suspended equipment and attachment details that typically apply to connecting ducts and pipes to building structures.
- *Anchors*: Shows many different types of anchors used to connect equipment to a building.
- *Special Cases*: Covers cable assemblies, and special situations involving seismic joints, valves and valve actuators.

## Introduction

To use this guide:

1. Use the Table of Contents to find the Equipment section that best represents the equipment you are installing.
2. Using the table (see example below) in the Equipment section, find the:
  - type of equipment you are installing in column 1
  - method of installing the equipment in column 2
  - attachment type in column 3.

column 1	column 2	column 3
<i>Typical Equipment</i>	<i>How is equipment to be installed?</i>	<i>Attachment Type</i>
Any type of unit	Connected to angles mounted to the floor	Rigid with angles <i>Go to page 53</i>

3. Turn to the page referenced in column 3 for the equipment/attachment type you have selected. If you are not sure which attachment type is correct, ask your supervisor.
4. Follow the instructions for the attachment type you have selected. These instructions will refer you to the correct anchor section so you can make the connection to the building structure.

**NOTE: All instructions in this guide are arranged in order using numbered steps. Please follow every step in the sequence shown.**

### Special precautions are marked:



A flag means you should take special care before continuing. Read all the information next to a flag before making the attachment.



A warning sign means you can cause serious damage to the building, the device, or the equipment if you do not follow the instructions exactly.



A book means you should refer to the manufacturer's printed instructions before continuing.

Note that a Glossary and an Index are also available to facilitate use of this guide.

## DUCT AND PIPE BRACING LAYOUT



**Be sure to refer to approved construction drawings and specifications, seismic restraint submittals, and manufacturer's instructions. Also, refer to the manual that was used to design the seismic bracing. This manual is required to be on the job site.**

Refer to approved construction documents that show the overall layout of the duct and pipe runs throughout the building. Normal vertical supports are provided at intervals as defined in codes and standards. Additional seismic bracing may be required.

Hanger and bracing locations are found in approved construction documents. Contact your supervisor to obtain these construction documents. When additional seismic bracing is required, follow the steps in this section to identify where you should place the additional bracing. Then turn to the page showing the details and installation instructions for each type of seismic brace.

**Exceptions for ducts and piping:** Refer to codes and manufacturer's manuals.



**Refer to adopted local codes for any requirements that must be met to exclude seismic bracing.**



**Refer to local codes for hanger spacing requirements.**

**Step 1: Lay out supports or refer to drawings**

A run is a single straight section of duct or piping. Any change in direction is considered a new or different run. Offsets within a run may be allowed if the offset is less than the recommended spacing divided by 16 or as allowed by approved construction documents.

Separate the layout into runs as shown in Figure 1.

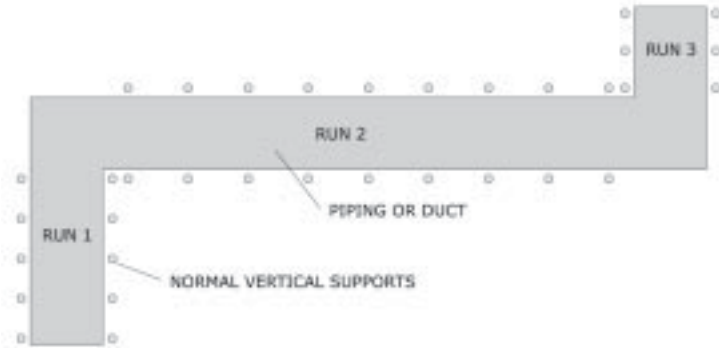


Figure 1: Separate layout into runs.

For bracing a single pipe run, there may be many short sections of pipe. Single or multiple offsets may be allowed if the total offset is less than the recommended transverse spacing divided by 16.

Offsets are shown in Figure 2.

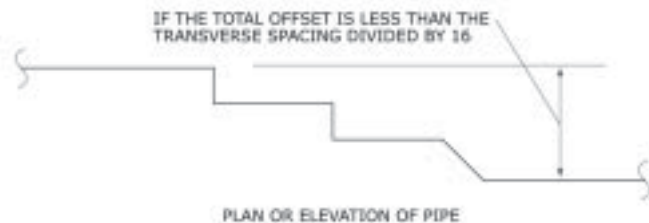


Figure 2: Pipe offset exception.

**Step 2: Lay out transverse bracing**

At a minimum, transverse bracing must be located at each end of the run as shown in Figure 3.

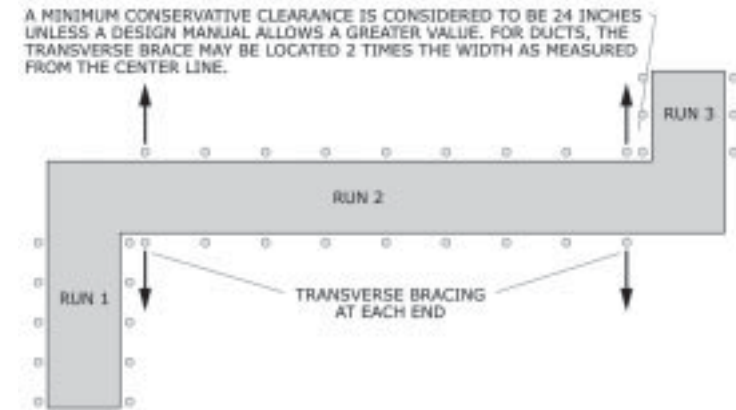


Figure 3: Locate transverse bracing at the ends.

**Step 3: Check to see if additional transverse bracing is required**



**Refer to the bracing manual at the job site.**

If the length of the run is greater than the allowed transverse spacing in the bracing manual, add intermediate transverse bracing until the spacing is correct as shown in Figure 4.

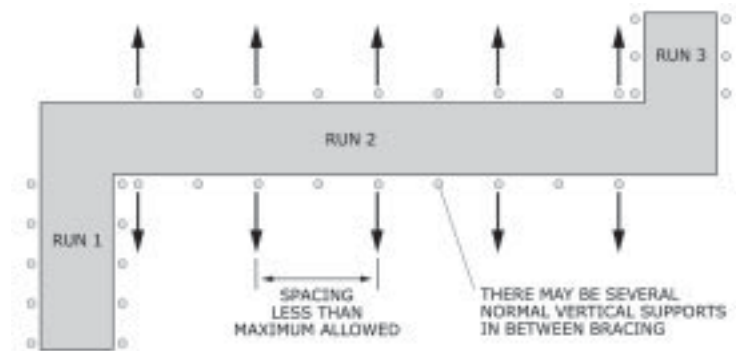


Figure 4: Install additional transverse bracing as necessary, to stay within maximum transverse spacing limitations.



**Step 4: Add longitudinal bracing**

Each run must have a minimum of one longitudinal brace as shown in Figure 5.

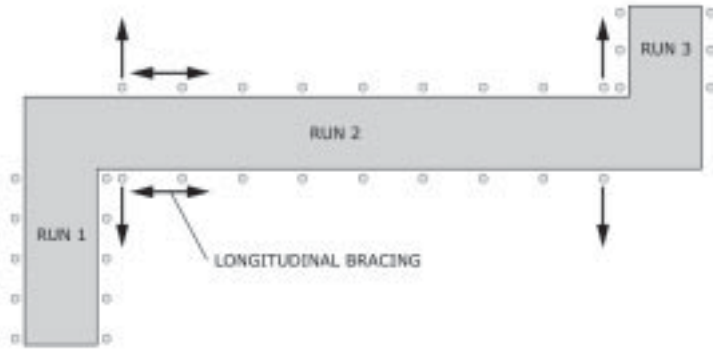


Figure 5: Add longitudinal bracing as necessary.

Transverse bracing on adjacent runs may be considered the longitudinal bracing as shown in Figure 6.

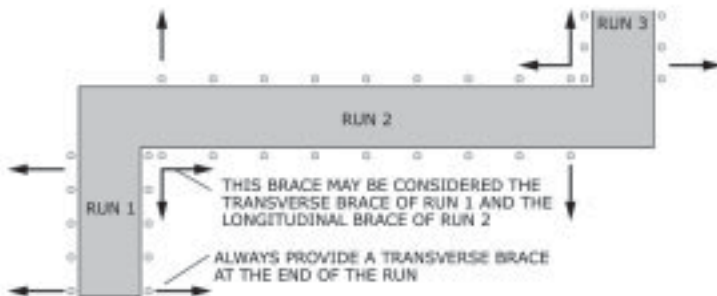


Figure 6: One cost-effective way to rearrange bracing.

Longitudinal bracing is usually spaced at a maximum distance that is two times the transverse spacing. For long runs, every second transverse brace should also have a longitudinal brace, as shown in Figure 7 (page 7).



Sometimes longitudinal bracing may be required on every transverse brace for large ducts and pipes.

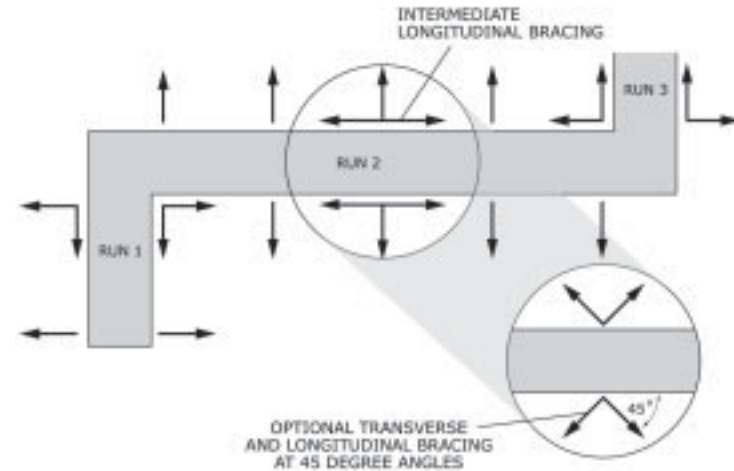


Figure 7: Final configuration.



Refer to the manufacturer's/industry manual for bracing requirements as designated in approved construction documents.



Refer to Figure 67 (page 63) for optional transverse and longitudinal bracing.



All longitudinal-only bracing must be physically attached to pipe. Attaching clevis-type hangers are not acceptable.

Go to pages 8-15 to select the bracing type for typical installations. Bracing details start on page 16.

# DUCT/PIPE/IN-LINE EQUIPMENT BRACING SELECTION

## Duct Bracing Selection



Be sure to refer to approved construction drawings and specifications, seismic restraint submittals, and manufacturer's instructions.

### Step 1: Identify the duct bracing used

Figure 8 shows the different ways to brace ducts.

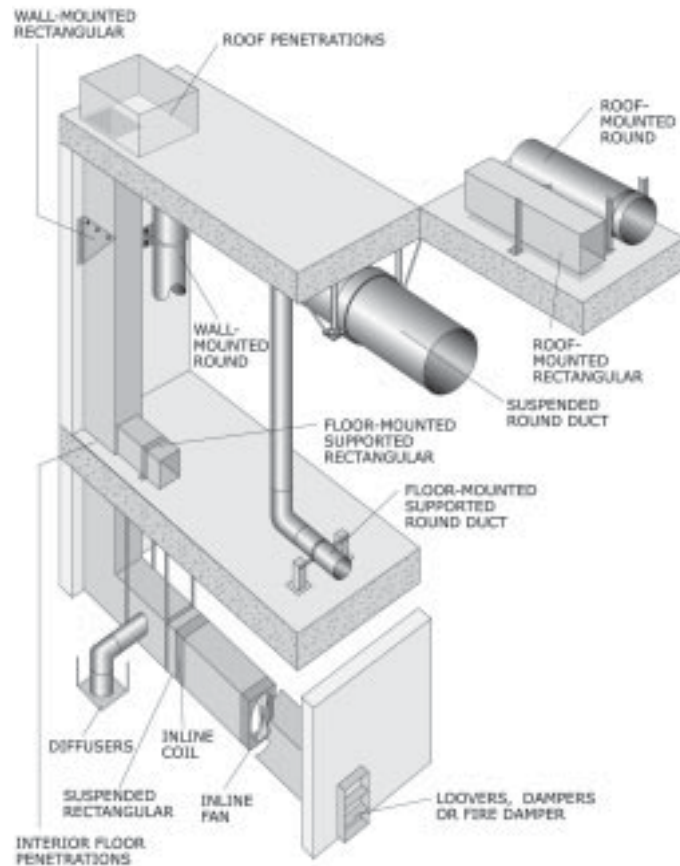


Figure 8: Duct system with different seismic braces.

In-line duct-mounted equipment can be found on page 10.

### Step 2: Select the bracing type

Using the following table, select the attachment that best matches the installation you have selected, then turn to the page listed under the bracing type.

Typical Arrangements	How is equipment to be installed?	Bracing Type
Suspended rectangular duct	Suspended with rods or angles using cables or rigid laterals	Suspended rectangular ducts <i>Go to page 16</i>
	Isolated with rod supports and cable bracing	Vibration-isolated rectangular ducts <i>Go to page 26</i>
Suspended round duct (including oval duct)	Suspended with rods or angles using cables or rigid laterals	Suspended round ducts <i>Go to page 28</i>
	Isolated with rod supports and cable bracing	Vibration-isolated round ducts <i>Go to page 39</i>
Floor-mounted rectangular and round duct	Suspended off the floor with angles	Floor-mounted ducts <i>Go to page 41</i>
Roof-mounted rectangular and round duct	Suspended above the roof with angles	Roof-mounted ducts <i>Go to page 44</i>
Wall-mounted rectangular and round duct	Supported off the wall	Wall-mounted ducts <i>Go to page 47</i>
Duct penetrations	Ducts through building structure	Duct Penetrations <i>Go to page 50</i>
In-line duct-mounted equipment	Attached to the building structure	In-line duct - mounted equipment <i>Go to page 10</i>

Table 1: Duct bracing installation types.



**Refer to approved contract documents for details and provisions for crossing fire barriers, area separation walls/floors/roofs, smoke barriers and seismic separation joints.**



**Refer to approved contract documents for requirements for weatherproofing roof and/or floor penetrations.**

## In-line Duct-mounted Equipment Bracing Selection



Be sure to refer to construction drawings and specifications, seismic restraint submittals, and manufacturer's instructions.

### Step 1: Identify the in-line duct-mounted equipment



Figure 9: Motorized damper.



Figure 10: Motorized damper.



Figure 11: Combination smoke and fire damper.



Figure 12: Square duct-mounted fire damper.



Figure 13: Round fire damper.

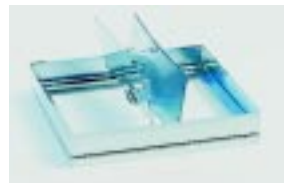


Figure 14: Ceiling fire damper.

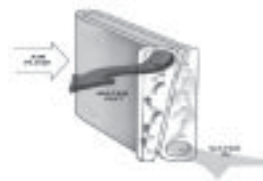


Figure 15: Coil.



Figure 16: Humidifier.



Figure 17: Silencer.



Figure 18: Fan-coil unit.



Figure 19: VAV terminal unit.



Figure 20: In-line fan.

### Step 2: Select the attachment type

Using the following table, select the attachment that best matches the installation you have selected, then turn to the page listed under the attachment type.

<i>Typical Arrangements</i>	<i>How is equipment to be installed?</i>	<i>Attachment Type</i>
Coil, damper, in-line fan, fan-coil unit, duct silencer, or VAV terminal unit	Suspended from the structure above using rods and cables	Rigid Go to page 85
	Suspended from the structure above using isolators, rods and cables	Isolated Go to page 90
	Suspended from the structure above using angles	Rigid with angles Go to page 88
Humidifier	Supported by the duct wall	Follow manufacturer's instructions
	Suspended from the structure	

Table 2: In-line duct-mounted equipment installation types.

## Pipe Bracing Selection



Be sure to refer to approved construction drawings and specifications, seismic restraint submittals, and manufacturer's instructions.

### Step 1: Identify the pipe bracing used

Figure 21 shows the different ways to brace pipes.

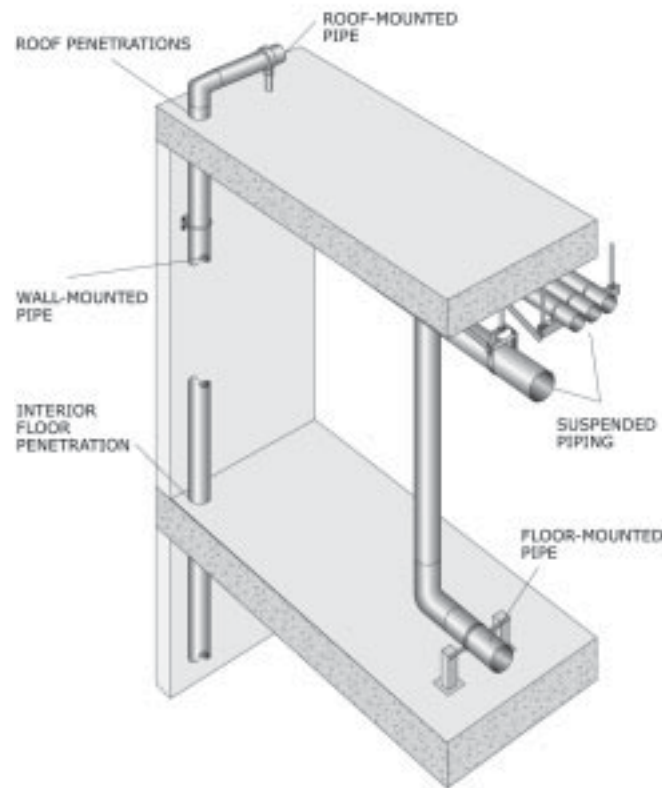


Figure 21: Pipe system with different seismic bracing.

In-line pipe-mounted equipment can be found on page 14.

### Step 2: Select the bracing type

Using the following table, select the attachment that best matches the installation you have selected, then turn to the page listed under the bracing type.

Typical Arrangements	How is equipment to be installed?	Bracing Type
Suspended piping	Suspended with rods and angles using cables or rigid laterals	Suspended piping <i>Go to page 54</i>
	Isolated with rod supports and cable bracing	Vibration-isolated <i>Go to page 65</i>
Floor-mounted piping	Suspended off the floor with angles/struts	Floor-mounted piping <i>Go to page 70</i>
Roof-mounted piping	Braced above the roof	Roof-mounted piping <i>Go to page 73</i>
Wall-mounted piping	Supported off the wall	Wall-mounted piping <i>Go to page 76</i>
Pipe penetrations	Pipes through building structure	Pipe penetrations <i>Go to page 79</i>
In-line pipe-mounted equipment	Attached to the building structure	In-line pipe-mounted equipment <i>Go to page 14</i>

Table 3: Pipe bracing installation types.



**Refer to approved contract documents for details and provisions for crossing fire barriers, area separation walls/floors/roofs, smoke barriers and seismic separation joints.**



**Refer to approved contract documents for requirements for weatherproofing roof and/or floor penetrations.**



**Spacing requirements for rigid angle bracing may be less than spacing of cable bracing due to the additional weight of the bracing.**

## In-line Pipe-mounted Equipment Bracing Selection



Be sure to refer to approved construction drawings and specifications, seismic restraint submittals, and manufacturer's instructions.

### Step 1: Identify the in-line pipe-mounted equipment



Figure 22: Valves and valve air actuator.



Figure 23: Valve and electronic actuator.



Figure 24: In-line pump.



Figure 25: Air separator.



Figure 26: Heat exchanger.



Figure 27: Strainer.

### Step 2: Select the attachment type

Using the following table, select the attachment that best matches the installation you have selected, then turn to the page listed under the attachment type.

Typical Arrangements	How is equipment to be installed?	Attachment Type
Valve or strainer	Requires additional bracing at the valve and actuator if it weighs more than 20 pounds	Valves and valve actuators <i>Go to page 144</i>
Valve actuator	Requires additional bracing if it weighs more than 20 pounds	
Air separator, in-line pump or heat exchanger	Support piping near equipment/valve	Suspended piping and pumps <i>Go to page 97</i>  Air separator <i>Go to page 99</i>  Heat exchanger <i>Go to page 100</i>

Table 4: In-line pipe-mounted equipment installation types.



**Valves with brittle valve bodies/connections require bracing near the valve.**



**Strainers and other piping specialties are braced similar to valves.**

## DUCT BRACING DETAILS AND INSTALLATION INSTRUCTIONS

This section gives instructions on bracing six different kinds of ducts:

- Suspended rectangular ducts (this page).
- Suspended round ducts (page 28).
- Floor-mounted ducts (page 41).
- Roof-mounted ducts (page 44).
- Wall- and chase-mounted ducts (page 47).
- Duct penetrations (page 50).

### Suspended Rectangular Ducts

The six ways to brace suspended rectangular ducts are by using:

- Vertical rods with cable bracing (page 17).
- Vertical rods with steel-shaped bracing (page 20).
- Vertical steel shapes with cable bracing (page 22).
- Vertical steel shapes with steel-shaped bracing (page 23).
- Unbraced supports (page 24).
- Vibration-isolated rectangular duct (page 26).



**For post-tension (pre-stressed) buildings, locate the tendons before drilling. Extreme damage may occur if a tendon is nicked or cut.**



**Refer to approved construction documents for details and provisions for crossing fire barriers, area separation walls/floors/roofs, smoke barriers, and seismic separation joints.**



**Pre-approved manufacturer's/industry manuals used for the installation of duct and pipe bracing are required to be on the job site to ensure that the correct details are being used.**



**Bracing must not be attached to duct joint.**

### Vertical rods with cable bracing

Vertical rod-braced ducts with transverse and longitudinal supports are shown in Figure 28 (below), Figure 29 (page 18), and Figure 30 (page 19).

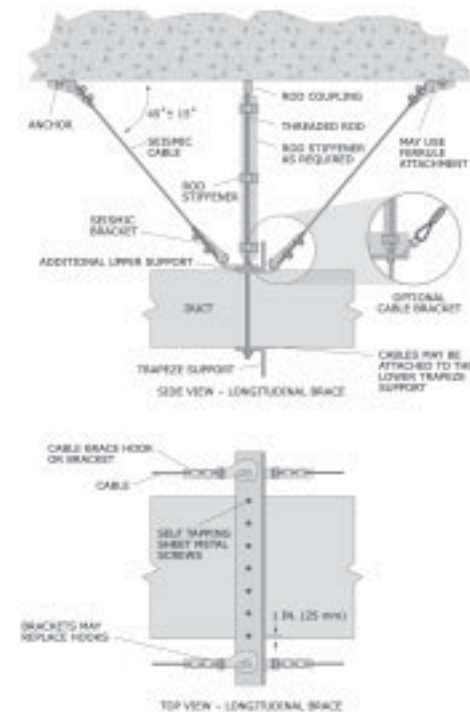


Figure 28: Rectangular duct with vertical rods and braced with cables (longitudinal).



**Use the shortest screws possible when penetrating ductwork to minimize airflow noise inside the duct.**



**Do not use coupling nuts except at building structure connection.**



**Longitudinal cable bracing requires bracing in both directions (as shown).**



**Rod must be one piece from building structure to bottom of trapeze support.**



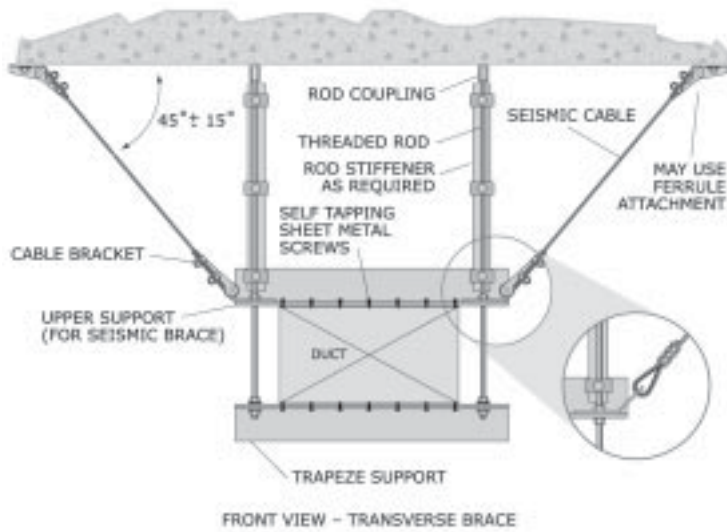


Figure 29: Rectangular duct with vertical rods braced with cables (transverse).

**Flag** Rod must be one piece from building structure to bottom of trapeze support.

**Step 1: Attach vertical rods with hanger to the building structure**

Lay out all attachment points before anchoring, then refer to Attachment Details Connecting to Building Structure (page 102). For instructions on installing anchors, see Anchors (page 107).

**Flag** The building structure must be point-load capable. Verify with the appropriate design professional.

**Step 2: Run duct as required by approved construction documents**

Assemble the support and connect it to vertical rods as shown in Figure 28 (page 17), Figure 29 (above), and Figure 30 (page 19).

**Step 3: Install anchors for bracing**

Install sheet metal screws to secure duct. Install brackets and cable bracing. For cable assembly instructions, see Cables (page 134). For instructions on installing anchors, see Anchors (page 107).

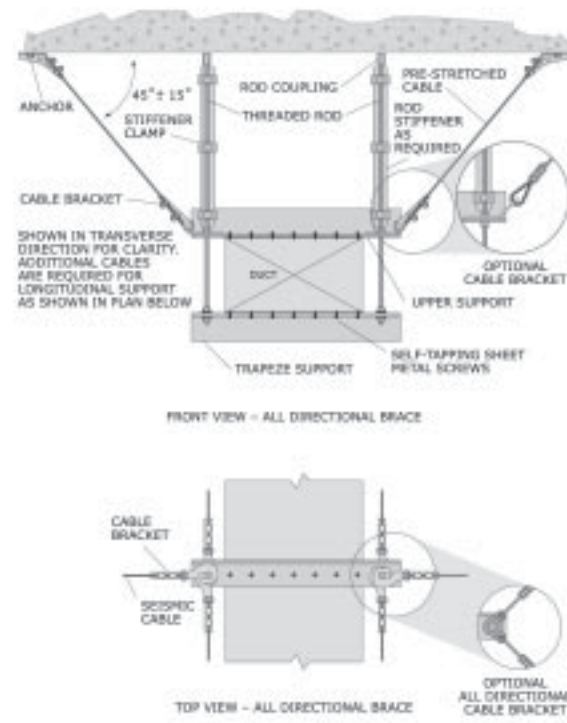


Figure 30: Rectangular duct with vertical rods and braced with cables (all directional).

**Flag** Rod must be one piece from building structure to bottom of trapeze support.

**Flag** Do not attach threaded rod and cable to the same anchor.

**END OF DETAIL.**

Vertical rods with steel shaped bracing

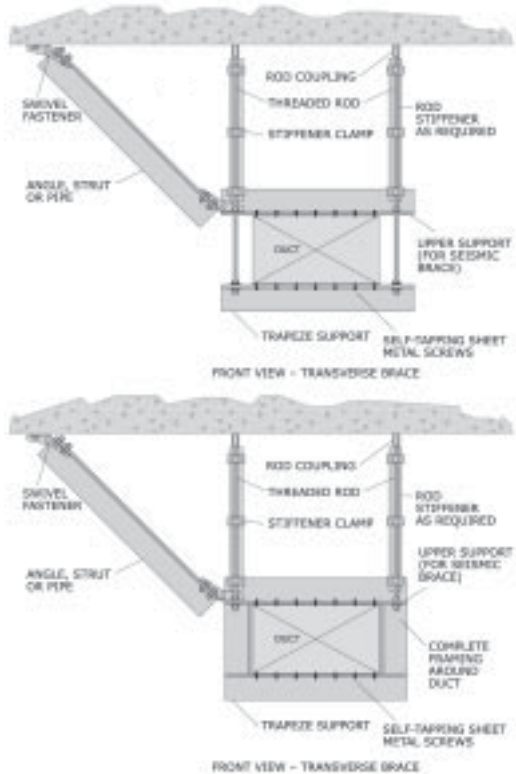





Figure 31: Rectangular duct with vertical rods and braced with steel shapes (transverse).

-  **Rod must be one piece from building structure to bottom of trapeze support.**
-  **Pre-approved manufacturer's/industry manuals may limit the maximum transverse and longitudinal angles to 45 degrees.**
-  **Additional weight of steel shaped bracing added to dead load and seismic lateral load may reduce brace spacing or increase rod and rod anchor sizes.**

Step 1: Attach vertical rods with hanger to the building structure

Lay out all attachment points before anchoring, then refer to Attachment Details Connecting to Building Structure (page 102). For instructions on installing anchors, see Anchors (page 107).

 **Building structure must be point-load capable. Verify with the appropriate design professional.**

Step 2: Run duct as required by approved construction documents

Assemble the support and connect to vertical rods as shown in the Figure 31 (page 20).

Step 3: Install anchors for bracing

Install brackets and cable bracing to building structure and support. For cable assembly instructions, see Cables (page 134). For instructions on installing anchors, see Anchors (page 107).

**END OF DETAIL.**



**Vertical steel shapes with cable bracing**

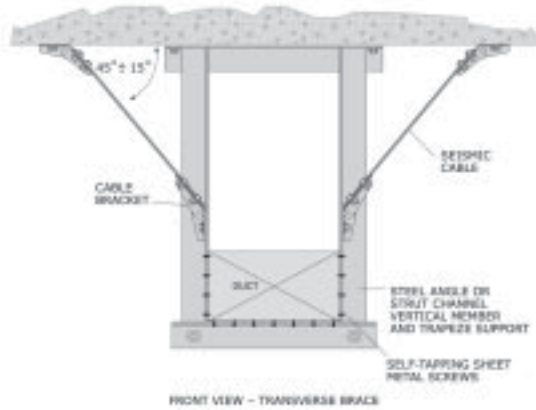


Figure 32: Rectangular duct with steel shapes and braced with cables (transverse).

**Step 1: Attach vertical steel shapes to the building structure**

Lay out all attachment points before anchoring, then refer to Attachment Details Connecting to Building Structure (page 102). For instructions on installing anchors, see Anchors (page 107).



**Building structure must be point-load capable. Verify with the appropriate design professional.**

**Step 2: Run duct as required by approved construction documents**

Assemble the support and connect to vertical rods as shown in the Figure 32 (above).

**Step 3: Install anchors for bracing**

Install brackets and cable bracing to building structure and support. For cable assembly instructions, see Cables (page 134). For instructions on installing anchors, see Anchors (page 107).

**END OF DETAIL.**

**Vertical steel shapes with steel shaped bracing**

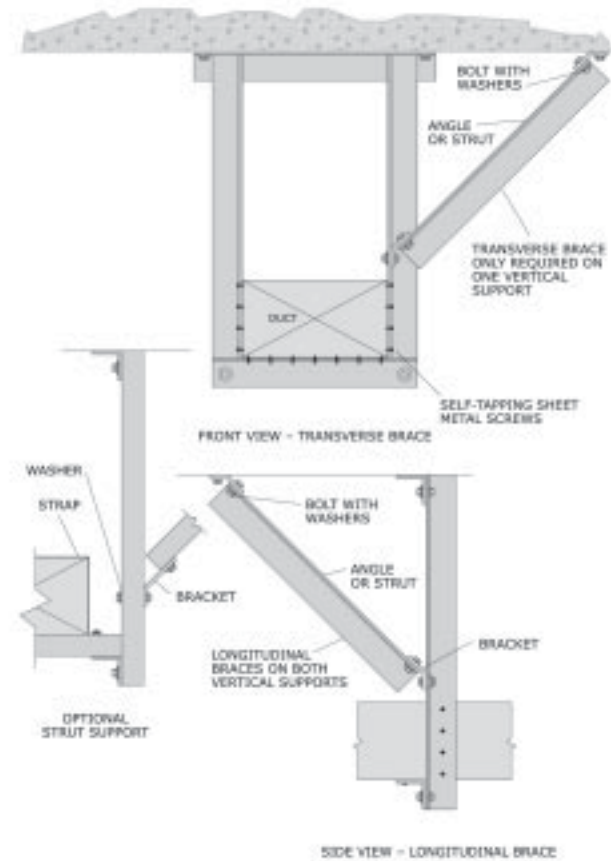


Figure 33: Rectangular duct with vertical steel shapes and steel shaped bracing (transverse and longitudinal).



**Rod must be one piece from building structure to bottom of trapeze support.**



**Pre-approved manufacturer's/industry manuals may limit the maximum transverse and longitudinal angles to 45 degrees.**



Vibration-isolated rectangular duct

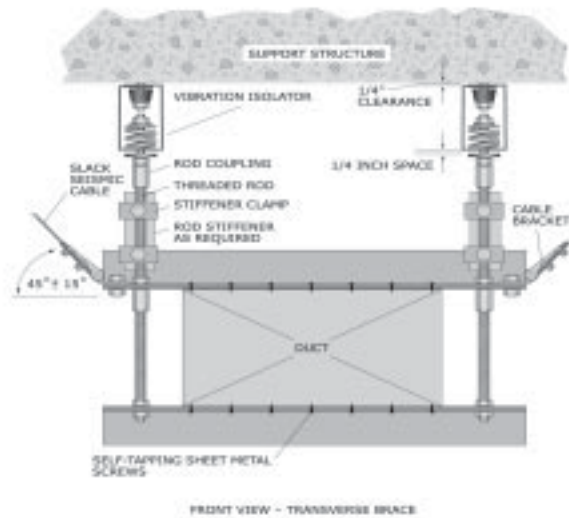


Figure 36: Rectangular duct isolated with vertical rods and braced with cables (transverse).



**Verify that the vertical limit stops and clearances meet the manufacturer's requirements.**

**Step 1: Attach vertical rods with vibration isolators to the building structure**

Lay out all the attachment points before anchoring, then refer to Attachment Details Connecting to Building Structure (page 102). For isolator details, refer to Figure 92 (page 91). For instructions on installing anchors, see Anchors (page 107).



**Building structure must be point-load capable. Verify with the appropriate design professional.**

**Step 2: Run duct as required by approved construction documents**

Assemble angle bracing and connect to vertical rods as shown in Figure 36 (above).

**Step 3: Install anchors for bracing**

Install brackets and cable bracing to building structure and support. For cable assembly instructions, see Cables (page 134). For instructions on installing anchors, see Anchors (page 107).

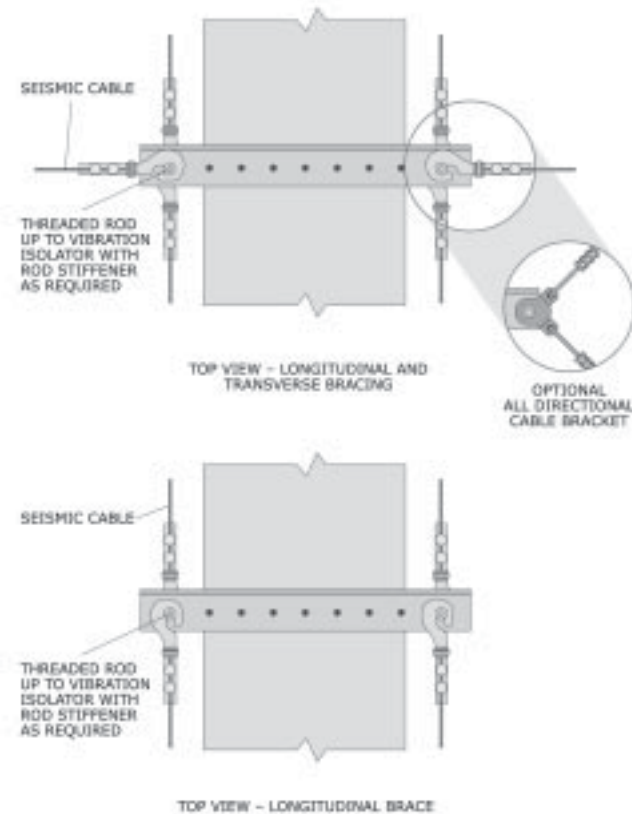


Figure 37: Rectangular duct isolated with rods and braced with cables (all directional and longitudinal).

**END OF DETAIL.**

## Suspended Round Ducts

The six ways to brace suspended round and oval duct supports are by using:

- Vertical rods with cable bracing (page 29).
- Vertical rods with steel shaped bracing (page 32).
- Vertical steel shapes with cable bracing (page 34).
- Vertical steel shapes with steel shaped bracing (page 36).
- Unbraced supports (page 37).
- Vibration isolation (page 39).



**For post-tension (pre-stressed) buildings, locate the tendons before drilling. Extreme damage may occur if a tendon is nicked or cut.**



**Refer to approved construction documents for details and provisions for crossing fire barriers, area separation walls/floors/roofs, smoke barriers, and seismic separation joints.**



**Pre-approved manufacturer's/industry manuals used for the installation of duct and pipe bracing are required to be on the job site to ensure the correct details are being used.**

### Vertical rods with cable bracing

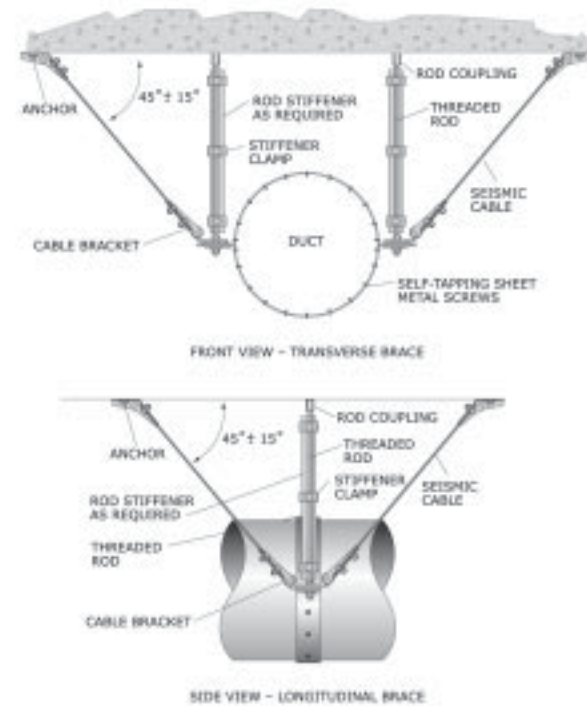


Figure 38: Round duct with vertical rods and braced with cables (transverse and longitudinal).



**Use the shortest screws possible when penetrating ductwork to minimize airflow noise inside the duct.**



**Cable bracing requires bracing in both directions as shown in Figure 38 (above).**

**Step 1: Attach vertical rods with hanger to the building structure**

Lay out all attachment points before anchoring, then refer to Attachment Details Connecting to Building Structure (page 102). For instructions on installing anchors, see Anchors (page 107).

 **Building structure must be point-load capable. Verify with the appropriate design professional.**

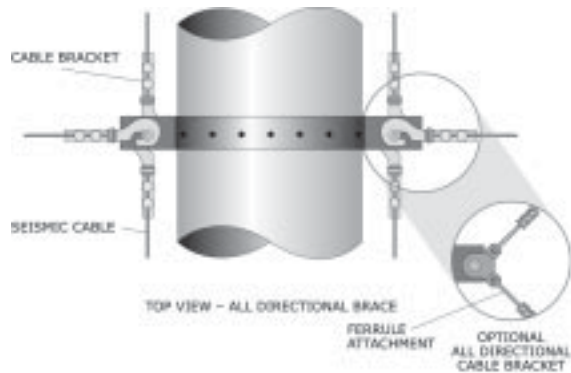


Figure 39: Round duct with vertical rods and braced with cables (all directional).

 **Use the shortest screws possible when penetrating ductwork to minimize airflow noise inside the duct.**

 **Cable bracing requires bracing on both sides as shown in Figure 39 (above) and Figure 40 (page 31).**

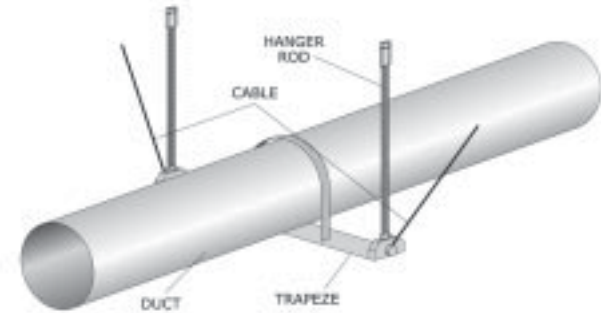


Figure 40: Optional round duct with vertical rods and braced with cables (transverse).

**Step 2: Run duct as required by approved construction documents**

Assemble the support and connect it to the vertical rods as shown in Figure 39 (page 30) and Figure 40 (above).

**Step 3: Install anchors for bracing**

Install brackets and cable bracing to building structure and support. For cable assembly instructions, see Cables (page 134). For instructions on installing anchors, see Anchors (page 107).

**END OF DETAIL.**

Vertical rods with steel shaped bracing

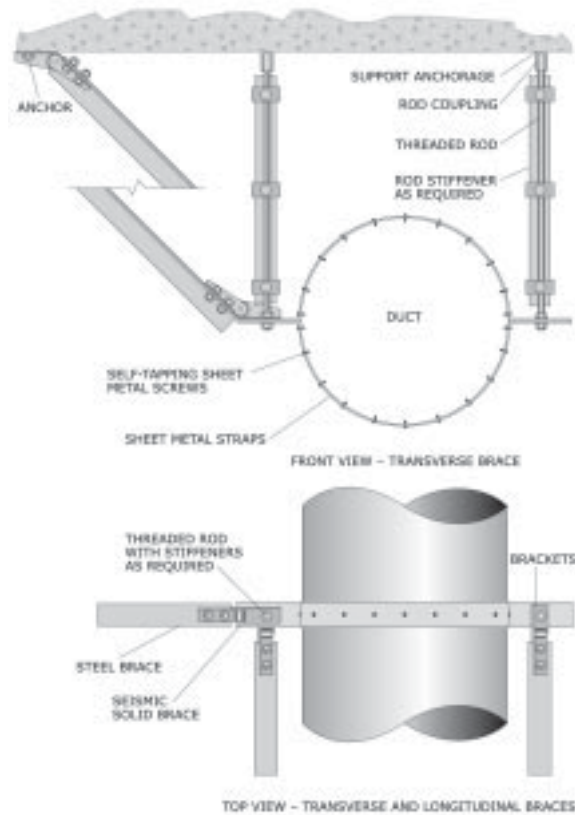


Figure 41: Round duct with vertical rods and braced with steel shapes (transverse and all-directional).



**Pre-approved manufacturer's/industry manuals may limit the maximum transverse and longitudinal angles to 45 degrees.**

Step 1: Attach vertical rods with hanger to the building structure

Lay out all attachment points before anchoring, then refer to Attachment Details Connecting to Building Structure (page 102). For instructions on installing anchors, see Anchors (page 107).



**Building structure must be point-load capable. Verify with the appropriate design professional.**

Step 2: Run duct as required by approved construction documents

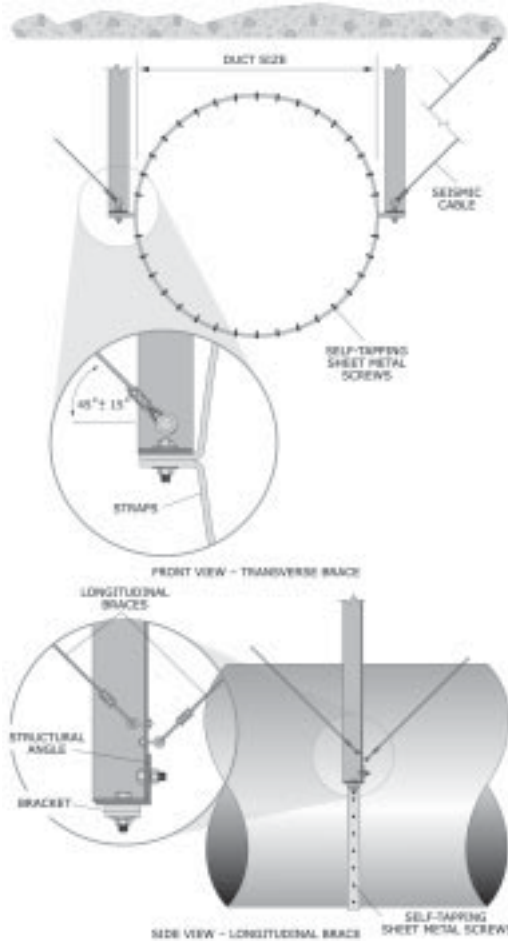
Assemble angle bracing and connect to vertical rods as shown in Figure 41 (page 32).

Step 3: Install anchors for bracing

Install brackets and cable bracing to building structure and support. For cable assembly instructions, see Cables (page 134). For instructions on installing anchors, see Anchors (page 107).

**END OF DETAIL.**

Vertical steel shapes with cable bracing



Step 1: Attach vertical steel shapes with hanger to the building structure

Lay out all attachment points before anchoring, then refer to Attachment Details Connecting to Building Structure (page 102). For instructions on installing anchors, see Anchors (page 107).

 **Building structure must be point-load capable. Verify with the appropriate design professional.**

Step 2: Run duct as required by approved construction documents


Assemble the support and connect it to vertical steel shapes as shown in Figure 42 (page 34).

Step 3: Install anchors for bracing

Install brackets and cable bracing to building structure and support. For cable assembly instructions, see Cables (page 134). For instructions on installing anchors, see Anchors (page 107).

**END OF DETAIL.**

Figure 42: Round duct with vertical steel shapes and braced with cables (transverse and longitudinal).

 **Use the shortest screws possible when penetrating ductwork to minimize airflow noise inside the duct.**

 **Cable bracing requires bracing on both sides as shown in Figure 42 (above).**



**Vertical steel shapes with steel shaped bracing**

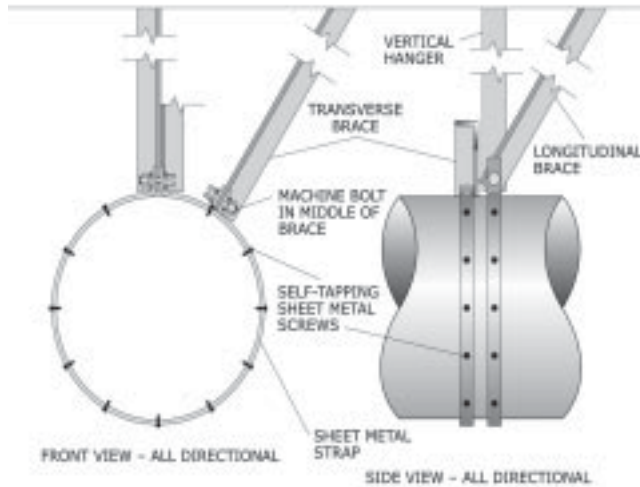


Figure 43: Round duct with vertical steel shapes with steel shaped bracing (all-directional).

**Pre-approved manufacturer's/industry manuals may limit the maximum transverse and longitudinal angles to 45 degrees.**

**Step 1: Attach vertical steel shapes to the building structure**

Lay out all attachment points before anchoring, then refer to Attachment Details Connecting to Building Structure (page 102).

**Building structure must be point-load capable. Verify with the appropriate design professional.**

**Step 2: Run duct as required by approved construction documents**



Assemble duct bracing and connect to vertical angles as shown in Figure 43 (above).

**Step 3: Install anchors for bracing**

Install brackets and cable bracing to building structure and support. For cable assembly instructions, see Cables (page 134). For instructions on installing anchors, see Anchors (page 107).

**END OF DETAIL.**

**Unbraced supports**

-  **Unbraced supports may be allowed by the authority having jurisdiction and may require the top of the duct to be attached to the support.**
-  **Refer to building codes for required exceptions to unbraced piping and ducts.**

There are three types of unbraced supports:

- Non-moment-resistant rod support
- Strap support
- Vibration-isolated support (see the optional view in Figure 44 below)

**Non-moment-resistant rod support**

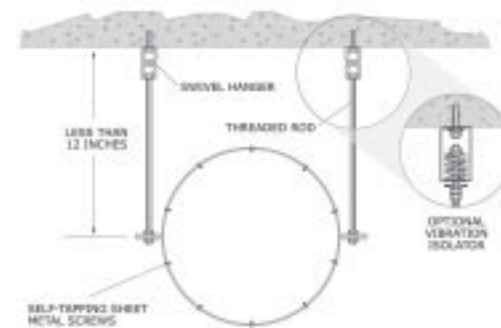


Figure 44: Round duct non-moment-resistant rod support.

**Use the shortest screws possible when penetrating ductwork to minimize airflow noise inside the duct.**



### Strap Support

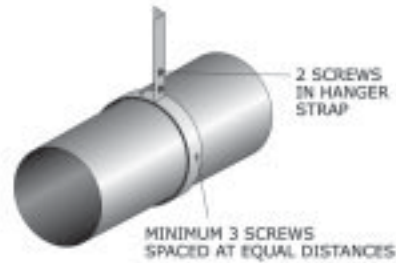


Figure 45: Strap support for round duct with steel shaped bracing.



**Refer to manufacturer's/industry manuals for size of hanger supports (straps) and spacing.**

#### Step 1: Attach rods/straps to the building structure with anchors

Lay out all attachment points before anchoring. Attach as shown in Figure 44 (page 37) and Figure 45 (above).



**Building structure must be point-load capable. Verify with the appropriate design professional.**

#### Step 2: Run duct as required by approved construction documents

Connect straps to duct as shown in Figure 45 (above) or assemble duct rod support as shown in Figure 46 (page 39).

**END OF DETAIL.**

### Vibration-isolated round duct

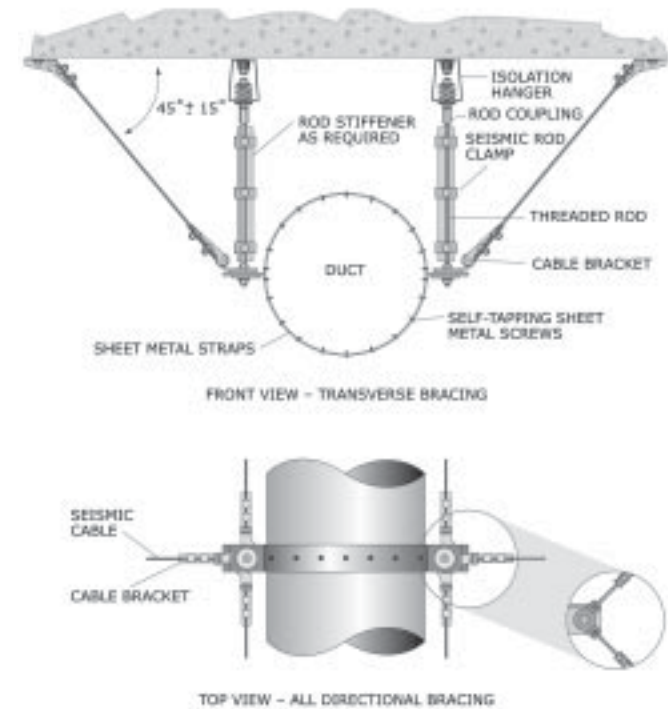


Figure 46: Round duct isolated with vertical rods and braced with cables (all-directional and transverse).



**Verify that the vertical limit stops and clearances meet the manufacturer's requirements.**

#### Step 1: Attach vertical rods with vibration isolators to the building structure

Lay out all attachment points before anchoring, then refer to Attachment Details Connecting to Building Structure (page 102). For instructions on installing anchors, see Anchors (page 107).



**Building structure must be point load capable. Verify with the appropriate design professional.**

**Step 2: Run duct as required by approved construction documents**

Assemble angle bracing and connect to vertical rods as shown in Figure 46 (page 39).

**Step 3: Install anchors for bracing**

Install brackets and cable bracing to building structure and support. For cable assembly instructions, see Cables (page 134). For instructions on installing anchors, see Anchors (page 107).

**END OF DETAIL.**

**Floor-mounted Ducts**

Ducts are usually raised off the floor with a steel shaped support system. Figure 47 (page 42) and Figure 48 (page 43) show the support with structural steel shapes.



**For post-tension (pre-stressed) buildings, locate the tendons before drilling. Extreme damage may occur if a tendon is nicked or cut.**



**Refer to approved construction documents for details and provisions for crossing fire barriers, area separation walls/floors/roofs, smoke barriers, and seismic separation joints.**

**Step 1: Lay out the duct run**

Lay out all attachment points before anchoring, then refer to Attachment Details Connecting to Building Structure (page 102).

**Step 2: Install anchors for bracing**

For instructions on installing anchors, see Anchors (page 107).

**Step 3: Assemble angles or straps and secure to anchors and duct with sheet metal screws**

**Step 4: Run duct as required by approved construction documents**

Attach duct to angle assembly with angles and sheet metal screws. For round ducts, attach duct to assembly with straps and sheet metal screws.

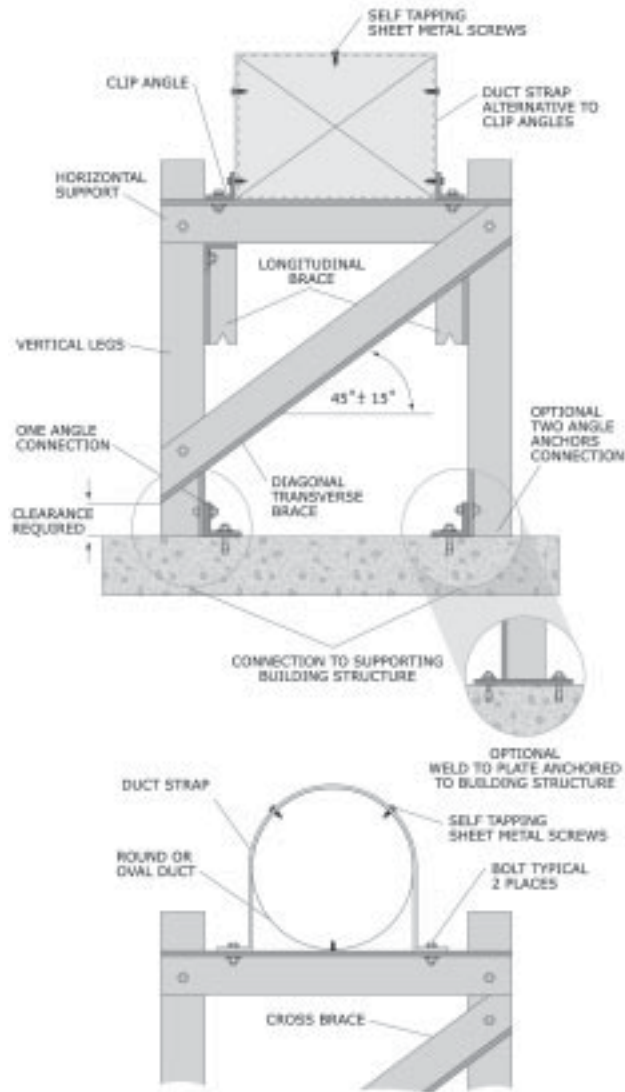


Figure 47: Duct supported off the floor with angles.



**Use the shortest screws possible when penetrating ductwork to minimize airflow noise inside the duct.**

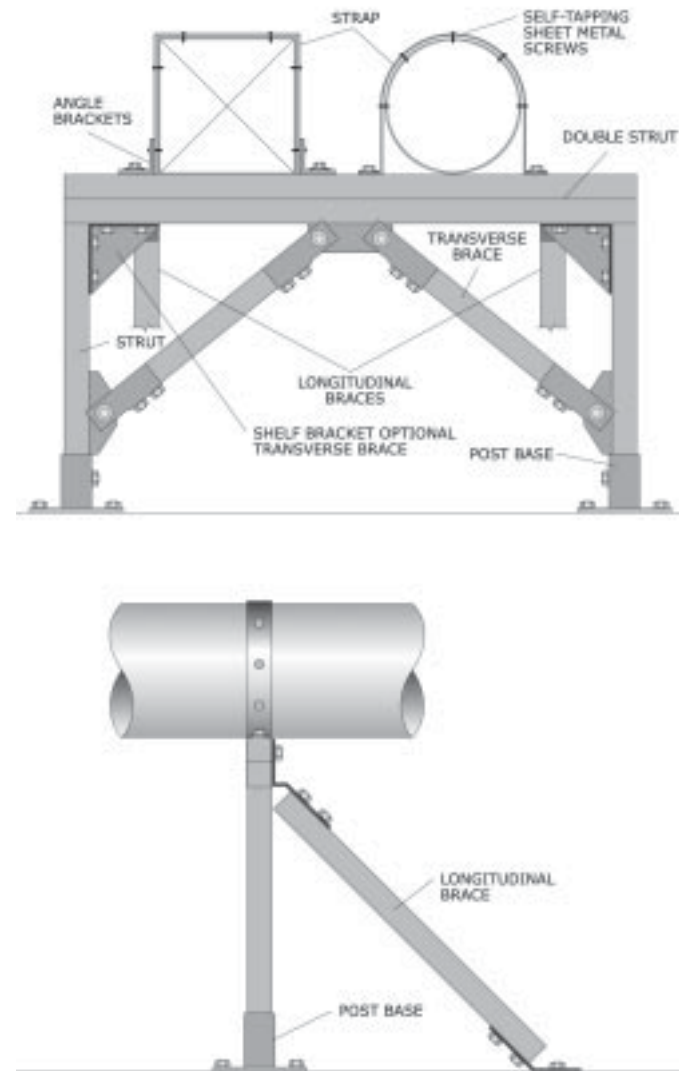


Figure 48: Duct supported off the floor with struts.



**Use the shortest screws possible when penetrating ductwork to minimize airflow noise inside the duct.**

## Roof-mounted Ducts

Ducts are usually supported above the roof with angles.

- ⚠ **For post-tension (pre-stressed) buildings, locate the tendons before drilling. Extreme damage may occur if a tendon is nicked or cut.**
- ⚠ **Refer to approved construction documents for details and provisions for crossing fire barriers, area separation walls/floors/roofs, smoke barriers, and seismic separation joints.**

The four ways to install roof-mounted ducts are:

- Mounted to a pre-manufactured seismic duct brace (Figure 49, below).
- Mounted to an angle support with cross bracing attached to a roof curb (Figure 50, page 45).
- Mounted to an angle support attached directly to the roof in a pitch pocket to seal the roof (Figure 51, page 45).
- Mounted to an angle support for round or oval ducts (Figure 52, page 46).

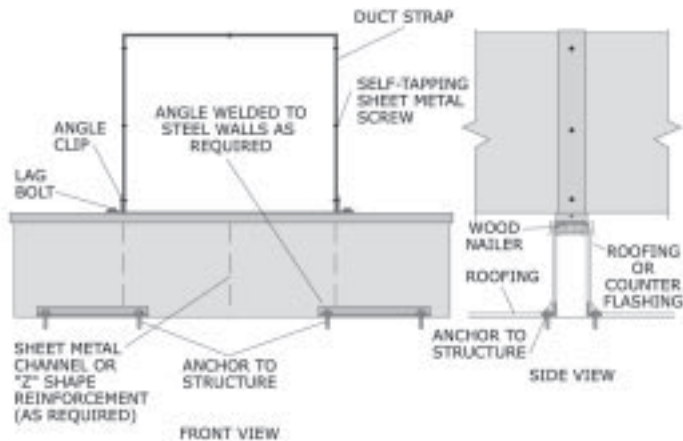


Figure 49: Duct mounted to a pre-manufactured seismic duct brace.

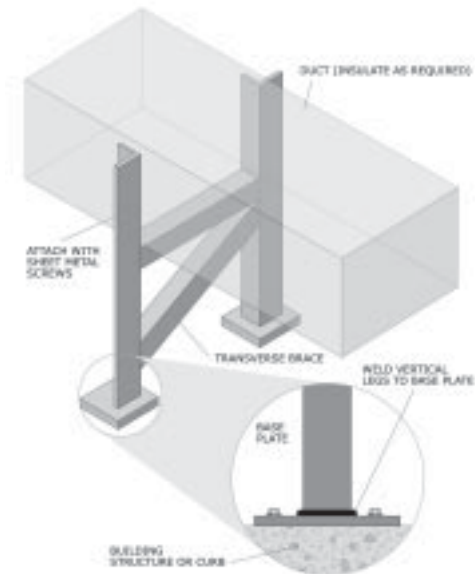


Figure 50: Duct mounted to the roof with cross bracing on a curb.

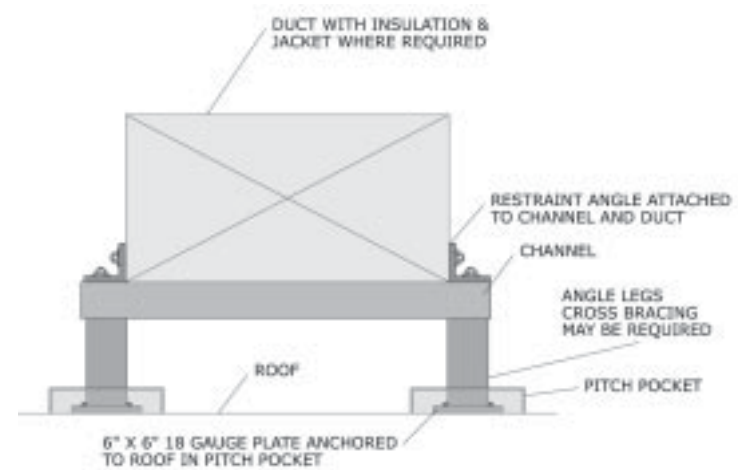


Figure 51: Duct mounted and directly attached to the roof in a pitch pocket.



**Insulate duct with weatherproof jacket where required.**

## Bracing Details and Installation Instructions: Roof-mounted Ducts

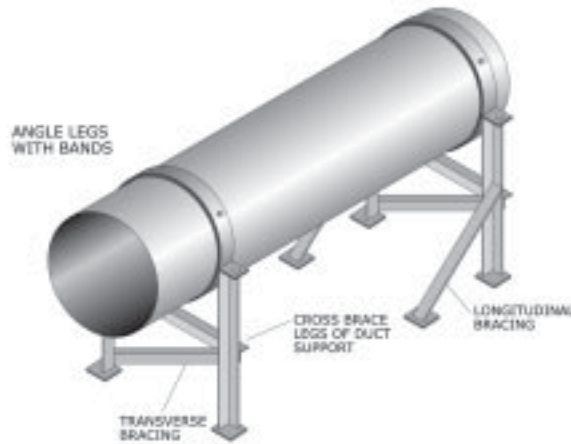


Figure 52: Round duct roof support.

### Step 1: Lay out the duct run

Lay out all attachment points before anchoring, then refer to Attachment Details Connecting to Building Structure (page 102). For instructions on installing anchors, see Anchors (page 107).

### Step 2: Assemble support

### Step 3: Anchor support base plate to building structure

### Step 4: Run duct as required by approved construction documents

Attach duct to the angle assembly with angles and sheet metal screws. For round ducts, attach duct to the assembly with straps and sheet metal screws and bolts as required.



**Seal all anchors and sheet metal screws and make weatherproof.**

**END OF DETAIL.**

## Wall- and Chase-mounted Ducts

Ducts are usually directly attached to the wall with straps or angles. Ducts can also be supported in a chase.



**For post-tension (pre-stressed) buildings, locate the tendons before drilling. Extreme damage may occur if a tendon is nicked or cut.**



**Refer to approved construction documents for details and provisions for crossing fire barriers, area separation walls/floors/roofs, smoke barriers, and seismic separation joints.**

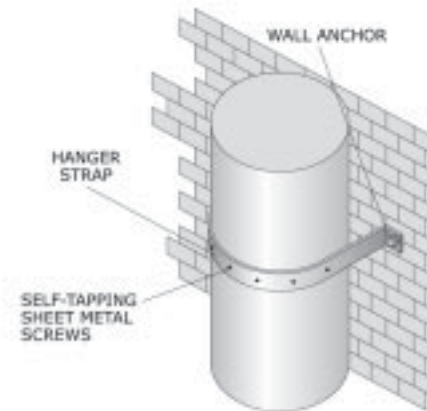


Figure 53: Strap connected directly to wall.



**Straps in Figure 53 (above) do not provide vertical bracing.**



**Use the shortest screws possible when penetrating ductwork to minimize airflow noise inside the duct.**

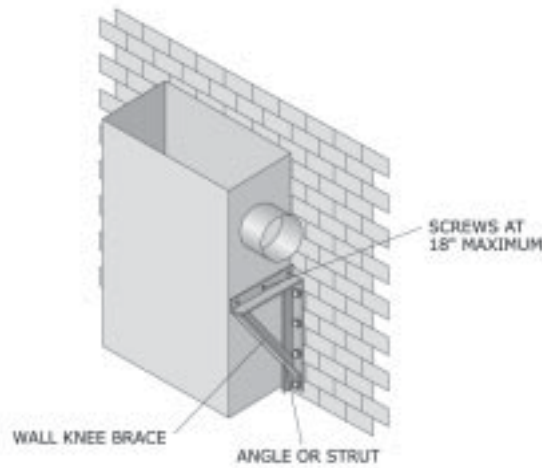


Figure 54: Duct supported by angles.

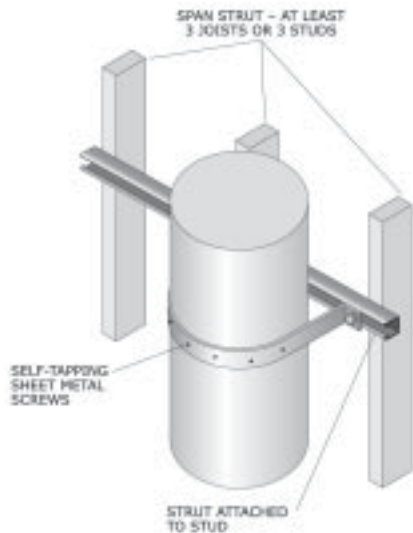


Figure 55: Duct supported from wood or metal stud wall.

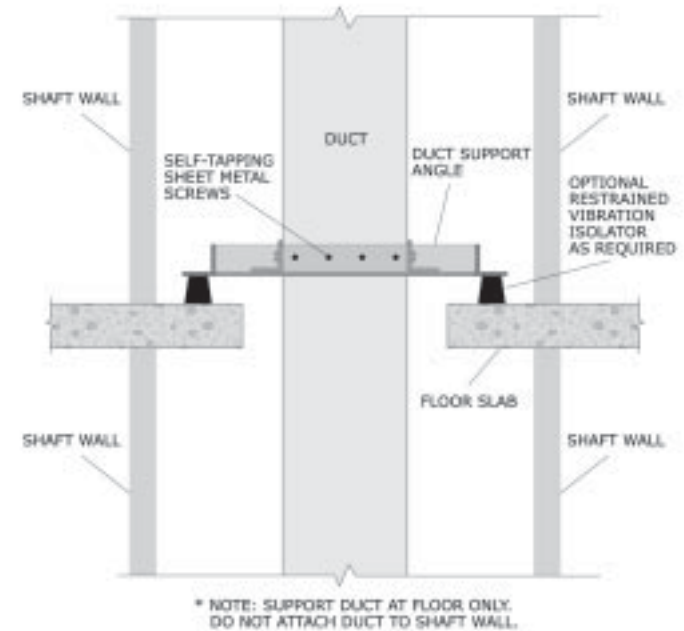


Figure 56: Duct supported in chase.

**Step 1: Lay out the duct run**

Lay out all the attachment points before anchoring.

**Step 2: Run duct as required by approved construction documents**

**Step 3: Install anchors for bracing**

For instructions on installing anchors, see Anchors (page 107).

**Step 4: Assemble angles or straps and secure to anchors and duct with sheet metal screws**




**Use the shortest screws possible when penetrating ductwork to minimize airflow noise inside the duct.**


**END OF DETAIL.**


## Duct Penetrations

The two types of duct penetrations are:

- Roof duct penetrations (this page).
- Interior duct penetrations (page 52).

 **For post-tension (pre-stressed) buildings, locate the tendons before drilling. Extreme damage may occur if a tendon is nicked or cut.**

 **Refer to approved construction documents for details and provisions for crossing fire barriers, area separation walls/floors/roofs, smoke barriers, and seismic separation joints.**

 **Pre-approved manufacturer's/industry manuals used for the installation of duct and pipe bracing are required to be on the job site to ensure the correct details are being used.**

 **All roof penetrations should be sealed and may require flashing.**

### Roof duct penetrations

 **Coordinate roof penetrations with the roofing contractor.**

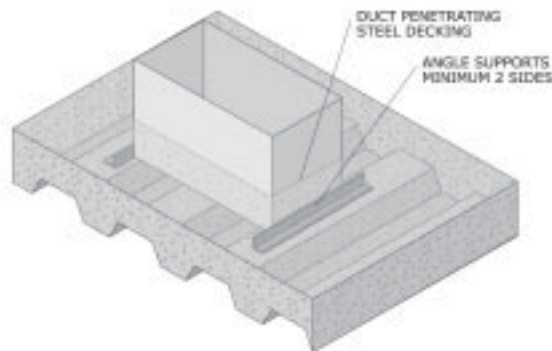


Figure 57: Duct penetration through metal deck roof.

### Step 1: Lay out the location of penetration

 **Coordinate the layout with a structural engineer. Additional structural supports may be required.**

Lay out all attachment points before anchoring.

### Step 2: Install anchors for bracing

For instructions on installing anchors, see Anchors (page 107).

### Step 3: Run duct as required by approved construction documents

Attach duct to the angle assembly with angles and sheet metal screws. For round ducts, attach duct to the assembly with split band and sheet metal screws and bolts as required. Attach angles to the building structure.

 **Use the shortest screws possible when penetrating ductwork to minimize airflow noise inside the duct.**

### Step 4: Add flashing

 **Add flashing as required by approved contract documents or as directed in manufacturer's instructions. See Figure 58 (below).**

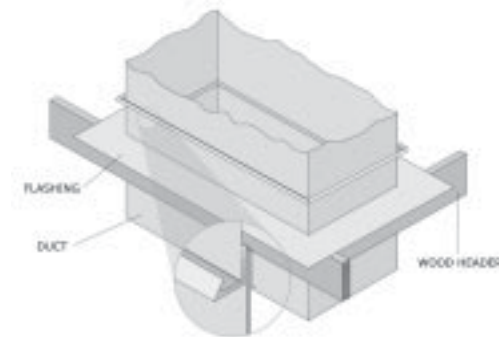


Figure 58: Flashing for roof penetrations.

**END OF DETAIL.**



**Interior duct penetrations**

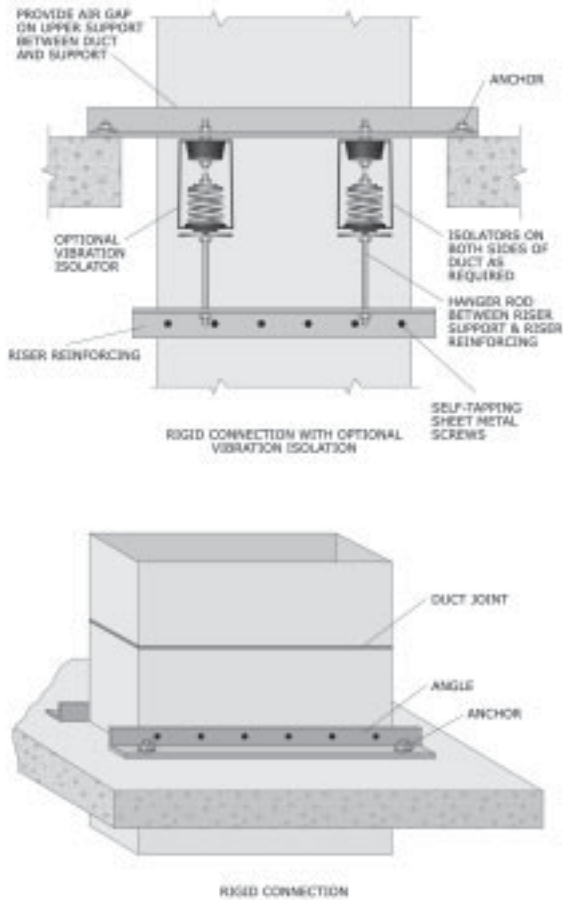



Figure 59: Penetration for interior rectangular duct.

 **Use the shortest screws possible when penetrating ductwork to minimize airflow noise inside the duct.**

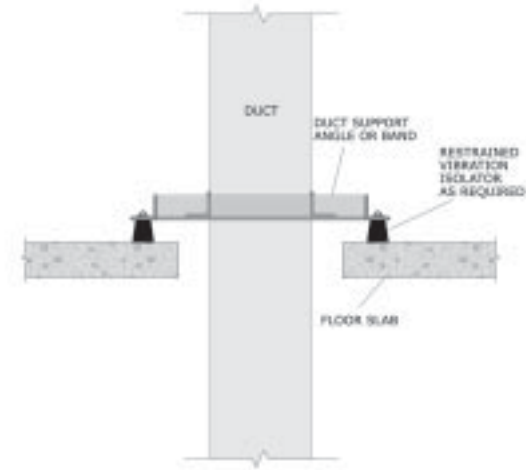


Figure 60: Penetration for interior round duct.

**Step 1: Lay out the location of penetration**

 **Coordinate the layout with a structural engineer. Additional structural supports may be required.**

Lay out all attachment points before anchoring.

**Step 2: Install anchors for bracing**

For instructions on installing anchors, see Anchors (page 107).

**Step 3: Run duct as required by approved construction documents**

Attach duct to the angle assembly with angles and sheet metal screws. Attach angles to the building structure.

 **Use the shortest screws possible when penetrating ductwork to minimize airflow noise inside the duct.**

 **Duct penetrations may be similar to pipe penetrations (page 79).**



## PIPE BRACING DETAILS AND INSTALLATION INSTRUCTIONS

This section gives instructions on bracing five different kinds of piping:

- Suspended piping (this page).
- Floor-mounted piping (page 70).
- Roof-mounted piping (page 73).
- Wall-mounted piping (page 76).
- Pipe penetrations (page 79).

### Suspended Piping

The seven ways to brace suspended piping are by using:

- Clevis hanger braced at the restraining bolt (page 55).
- Clevis hanger braced with cables (page 57).
- Clevis hanger braced at the hanger rod (page 58).
- Pipe clamps (page 60).
- Isolated pipe with clevis hanger (page 65).
- Trapeze support system (page 66).
- Double roller for expansive pipe (page 68).



**For post-tension (pre-stressed) buildings, locate the tendons before drilling. Extreme damage may occur if a tendon is nicked or cut.**



**Refer to approved construction documents for details and provisions for crossing fire barriers, area separation walls/floors/roofs, smoke barriers, and seismic separation joints.**



**Pre-approved manufacturer's/industry manuals used for the installation of duct and pipe bracing are required to be on the job site to ensure that the correct details are being used.**

### Suspended using clevis hanger braced at the restraining bolt

#### Step 1: Attach vertical rods with hanger to the building structure

Lay out all attachment points before anchoring, then refer to Attachment Details Connecting to Building Structure (page 102). For instructions on installing anchors, see Anchors (page 107).



**Building structure must be point-load capable. Verify with the appropriate design professional.**

#### Step 2: Run pipe as required by approved construction documents

#### Step 3: Install anchors for bracing

For instructions on installing anchors, see Anchors (page 107).

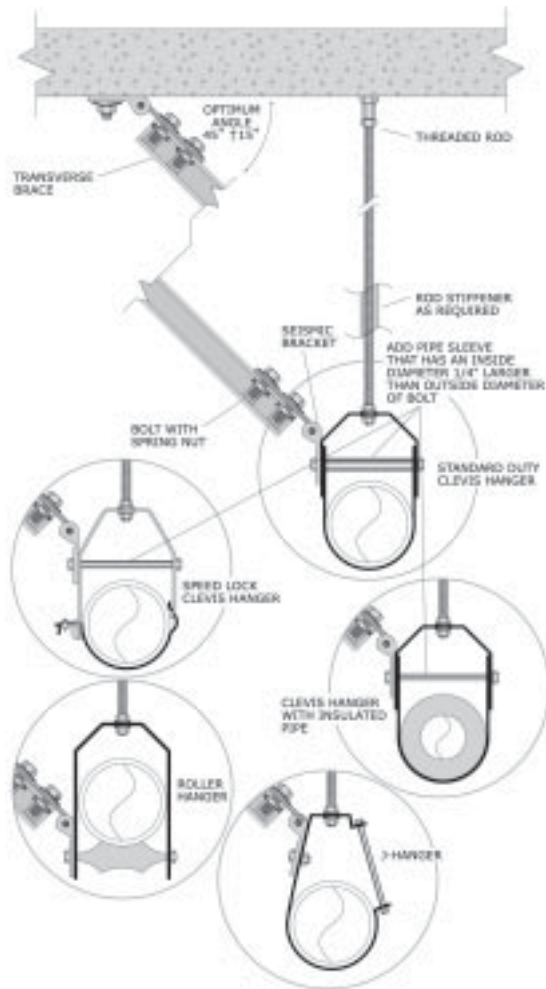


Figure 61: Single clevis hanger support with strut or angle transverse bracing at the restraining bolt.

 **Pre-approved manufacturer's/industry manuals may limit the maximum transverse and longitudinal angles to 45 degrees.**

 **Torque bolts per manufacturer's recommendations.**

**END OF DETAIL.**

**Suspended using clevis hanger braced with cables**

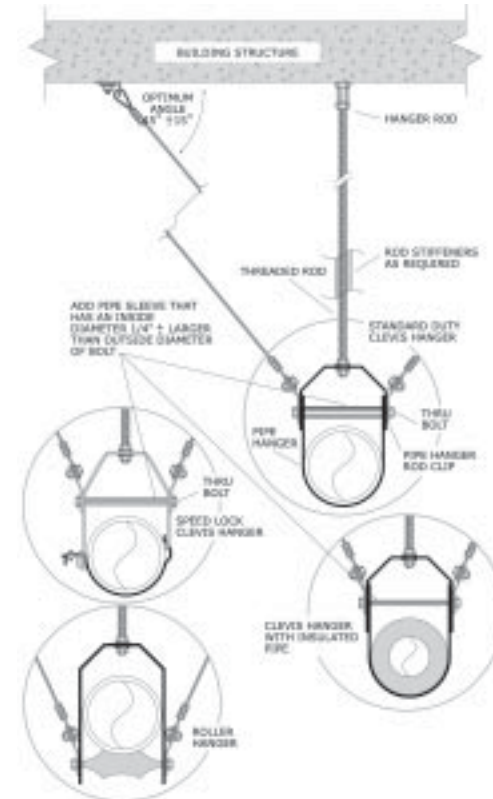



Figure 62: Single clevis hanger support with cable transverse bracing at the restraining bolt.

For cable assembly instructions, see Cables (page 134). For details on attaching cable to the building structure, refer to Attachment Details Connecting to Building Structure (page 102). For angle and strut attachment, see Figure 61 (page 56).

 **Pre-approved manufacturer's/industry manuals may limit the maximum transverse and longitudinal angles to 45 degrees.**

 **Torque bolts per manufacturer's recommendations.**

**END OF DETAIL.**

Suspended using clevis hanger braced at the hanger rod

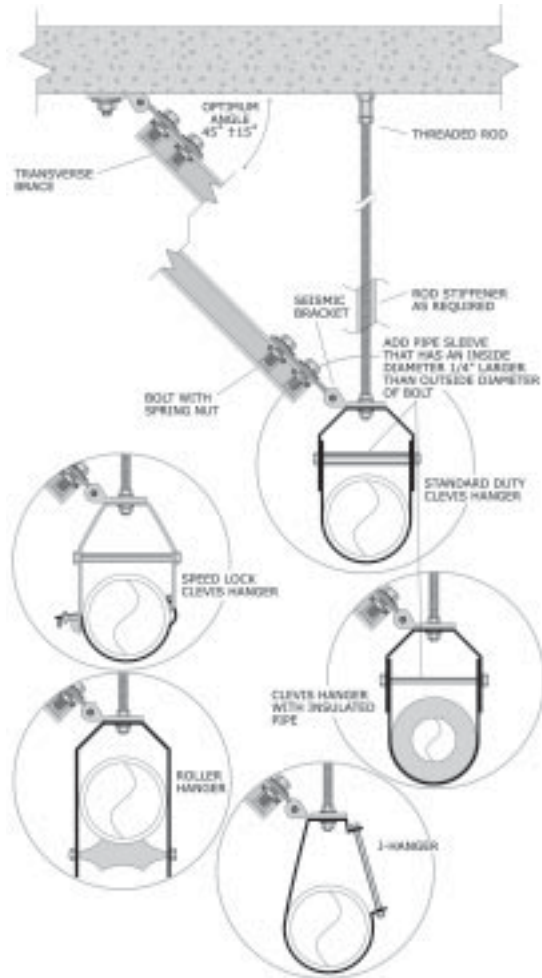


Figure 63: Single clevis hanger support with strut or angle transverse bracing at hanger rod.



Pre-approved manufacturer's/industry manuals may limit the maximum transverse and longitudinal angles to 45 degrees.



Torque bolts per manufacturer's recommendations.

Step 1: Attach vertical rods with hangers to the building structure

Lay out all attachment points before anchoring, then refer to Attachment Details Connecting to Building Structure (page 102). For instructions on installing anchors, see Anchors (page 107).



Building structure must be point-load capable. Verify with the appropriate design professional.

Step 2: Run pipe as required by approved construction documents

Step 3: Install anchors for bracing

For cable assembly instructions, see Cables (page 134). For details on attaching cable to the building structure, see Attachment Details Connecting to Building Structure (page 102). For angle and strut attachment, see Figure 63 (page 58). For instructions on installing anchors, see Anchors (page 107).



Insulate pipe with weatherproof jacket where required.

END OF DETAIL.

Suspended using pipe clamps

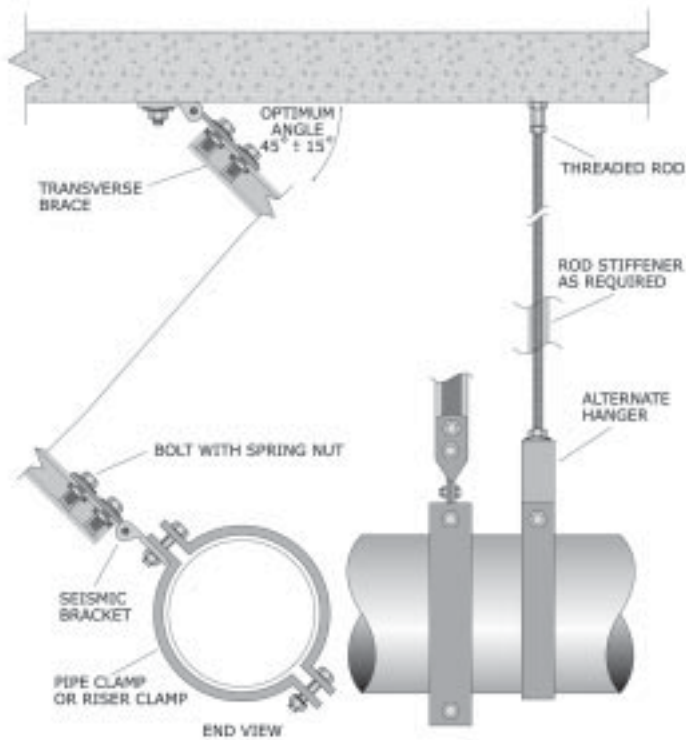





Figure 64: Pipe clamp supports with transverse strut or angle, transverse brace and hanger rod.

-  **Pre-approved manufacturer's/industry manuals may limit the maximum transverse and longitudinal angles to 45 degrees.**
-  **Torque bolts per manufacturer's recommendations.**
-  **Insulate after attaching pipe clamp.**

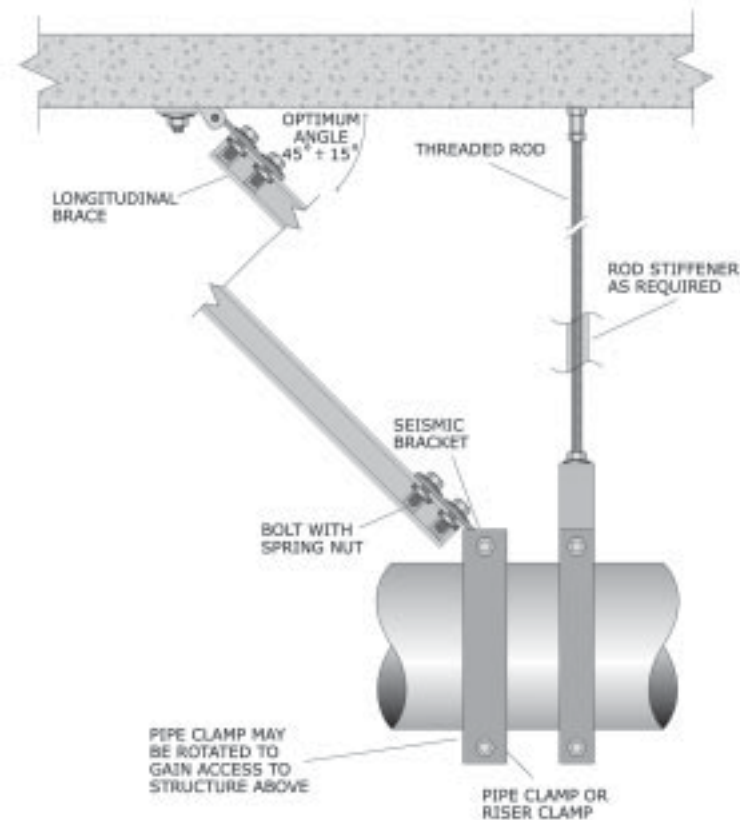





Figure 65: Pipe clamp supports with longitudinal strut or angle, longitudinal brace and hanger rod.

-  **Pre-approved manufacturer's/industry manuals may limit the maximum transverse and longitudinal angles to 45 degrees.**
-  **Torque bolts per manufacturer's recommendations.**
-  **Insulate after attaching pipe clamp.**

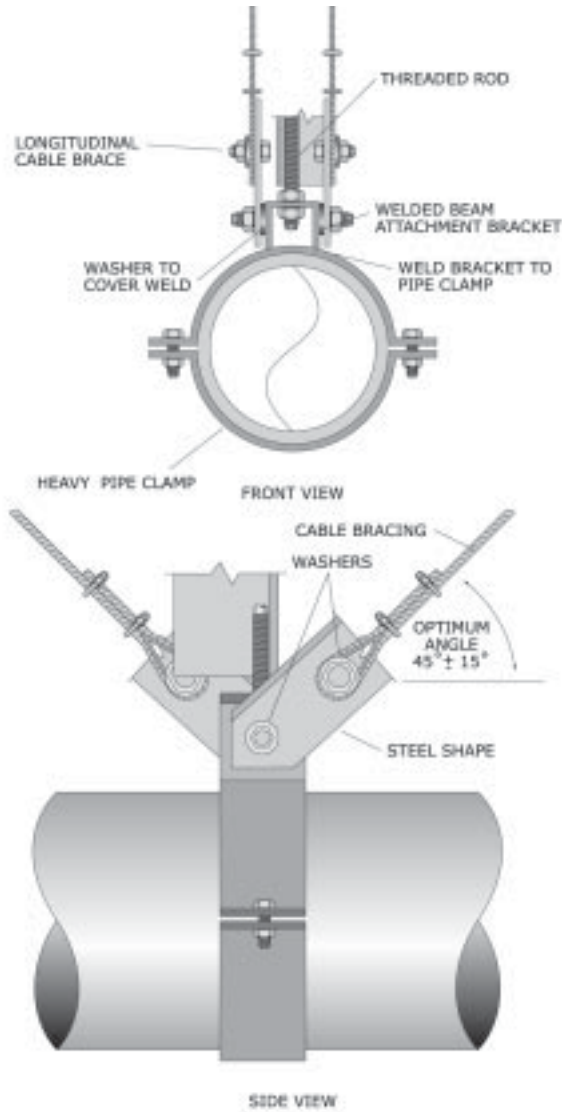


Figure 66: Pipe clamp supports with longitudinal cable brace and hanger rod.

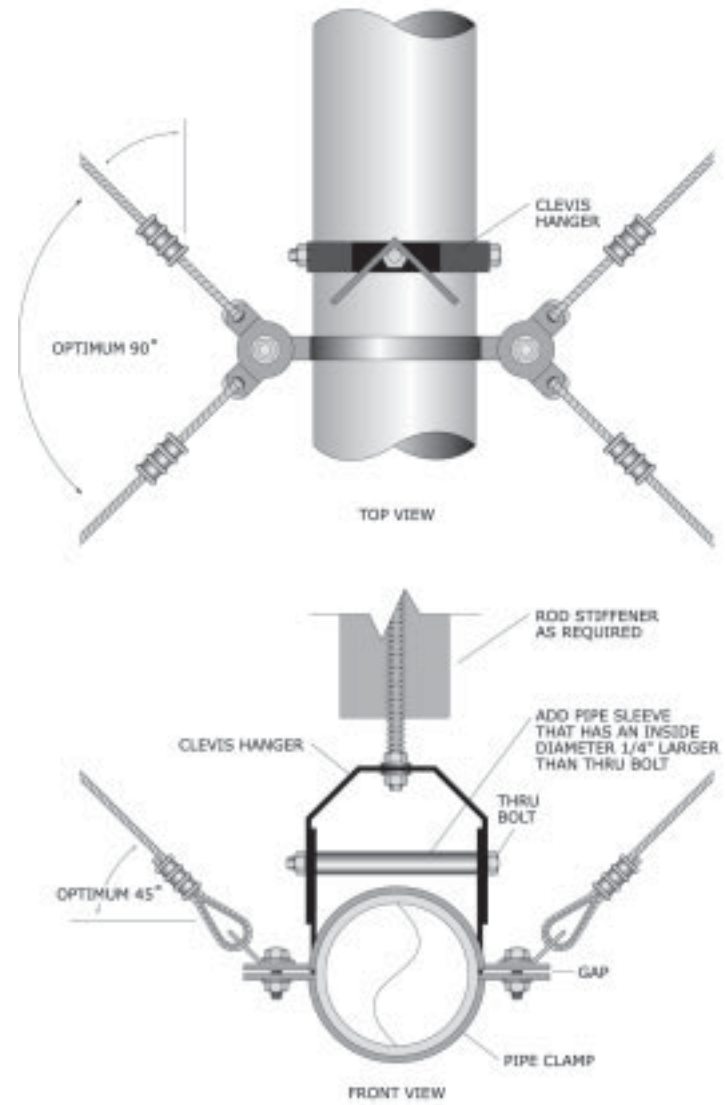


Figure 67: Pipe clamp supports with all directional brace and hanger rod.

**Step 1: Attach vertical rods with hanger or vibration isolator (as required) to the building structure**

Lay out all attachment points before anchoring, then refer to Attachment Details Connecting to Building Structure (page 102). For instructions on installing anchors, see Anchors (page 107).



**Building structure must be point load capable.  
Verify with the appropriate design professional.**

**Step 2: Run pipe as required by approved construction documents**

**Step 3: Install anchors for bracing**

For cable assembly instructions, see Cables (page 134). For details on attaching cable to the building structure, refer to Attachment Details Connecting to Building Structure (page 102). For angle and strut attachment, see Figure 69 (page 66). For instructions on installing anchors, see Anchors (page 107).

**END OF DETAIL.**

**Vibration-isolated pipe with clevis hanger**

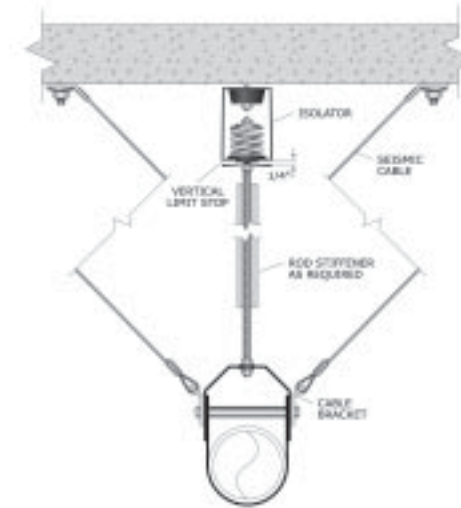


Figure 68: Vibration-isolated single pipe.

**Step 1: Attach vertical rods with hanger or vibration isolator (as required) to the building structure**

Lay out all attachment points before anchoring, then refer to Attachment Details Connecting to Building Structure (page 102). For instructions on installing anchors, see Anchors (page 107).



**Building structure must be point load capable.  
Verify with the appropriate design professional.**

**Step 2: Run pipe as required by approved construction documents**

**Step 3: Install anchors for bracing**

For cable assembly instructions, see Cables (page 134). For details on attaching cable to the building structure, refer to Attachment Details Connecting to Building Structure (page 102). For instructions on installing anchors, see Anchors (page 107).

**END OF DETAIL.**



Suspended with trapeze support system

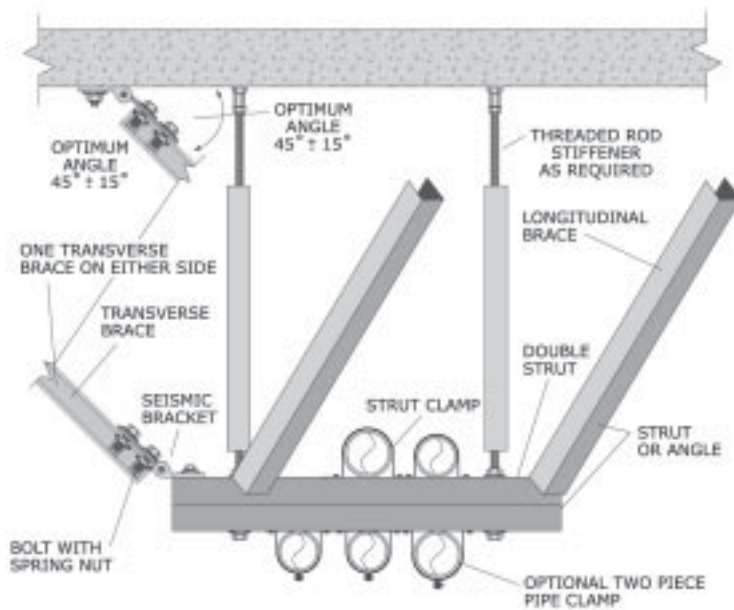




Figure 69: Trapeze support with strut or angle lateral supports.

-  **Pre-approved manufacturer's/industry manuals may limit the maximum transverse and longitudinal angles to 45 degrees.**
-  **Separate isolated piping from rigidly braced piping.**

**Step 1: Attach vertical rods with hanger to the building structure**

Lay out all attachment points before anchoring, then refer to Attachment Details Connecting to Building Structure (page 102). For instructions on installing anchors, see Anchors (page 107).

-  **Building structure must be point load capable. Verify with the appropriate design professional.**

**Step 2: Run pipe as required by approved construction documents**

**Step 3: Install anchors for bracing**

For cable assembly instructions, see Cables (page 134). For details on attaching cable to the building structure, refer to Attachment Details Connecting to Building Structure (page 102). For angle and strut attachment, see Figure 69 (page 66). For instructions on installing anchors, see Anchors (page 107).

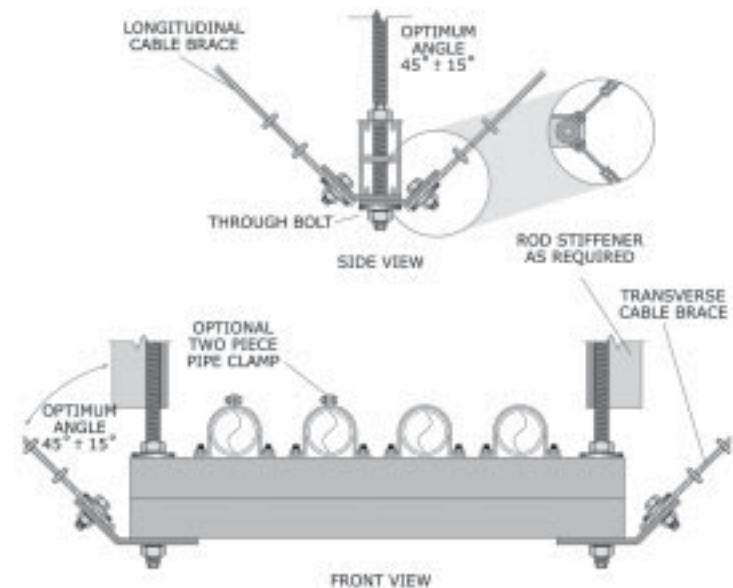


Figure 70: Trapeze support with cable lateral brace.

-  **Separate isolated piping from rigidly braced piping.**

**END OF DETAIL.**

Suspended with double roller support system

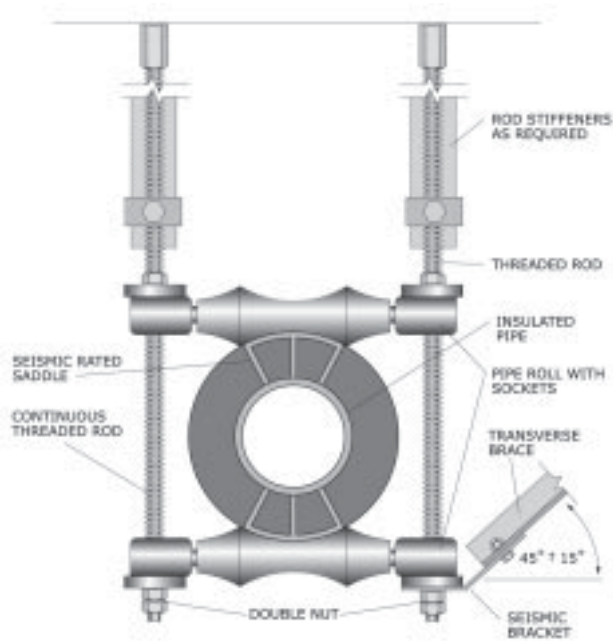


Figure 71: Double roller support for thermally expansive piping.



**Pre-approved manufacturer's/industry manuals may limit the maximum transverse and longitudinal angles to 45 degrees.**

**Step 1: Attach vertical rods with hanger to the building structure**

Lay out all the attachment points before anchoring, then refer to Attachment Details Connecting to Building Structure (page 102). For instructions on installing anchors, see Anchors (page 107).



**Building structure must be point-load capable. Verify with the appropriate design professional.**

**Step 2: Run pipe as required by approved construction documents**

**Step 3: Install anchors for bracing**

For cable assembly instructions, see Cables (page 134). For angle and strut attachment, see Figure 69 (page 66). For instructions on installing anchors, see Anchors (page 107).

**END OF DETAIL.**



## Floor-mounted Piping

Attach to the floor with angles either in a single pipe support configuration as shown in Figure 72 (below) or on a trapeze as shown in Figure 73 (page 71) and Figure 74 (page 72).

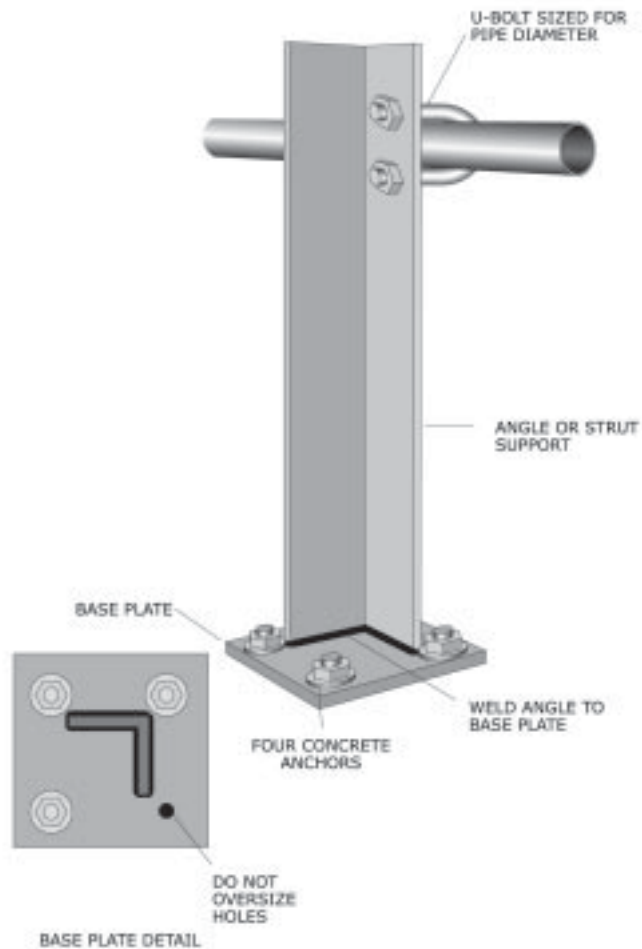


Figure 72: Single vertical support.

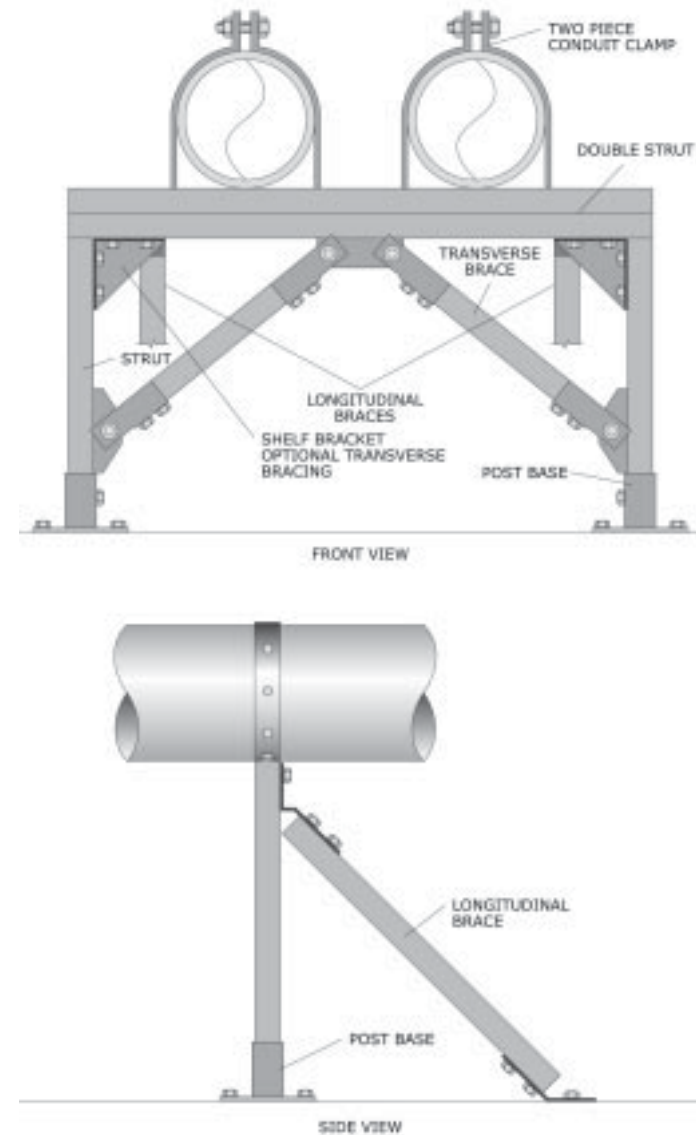


Figure 73: Attachment to a floor with strut trapeze.

**Bracing Details and Installation Instructions:  
Floor-mounted Piping**

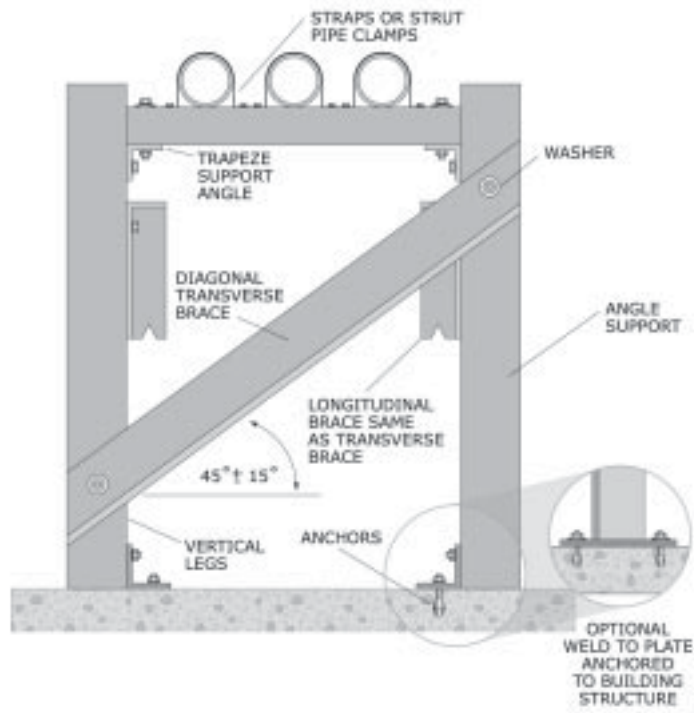


Figure 74: Attachment to a floor with steel shaped trapeze.

**Step 1: Attach supports or angles to the floor**

For instructions on installing anchors, see Anchors (page 107).



**Building structure must be point-load capable. Verify with the appropriate design professional.**

**Step 2: Build trapeze support and attach piping to support with straps or strut pipe clamps**



**Torque bolts per manufacturer's recommendations.**

**END OF DETAIL.**

**Roof-mounted Piping**

The three ways of attaching piping to a roof are:

- Single pipe support (this page).
- Wood blocking support (page 74).
- Trapeze support (page 75).

**Single pipe support**

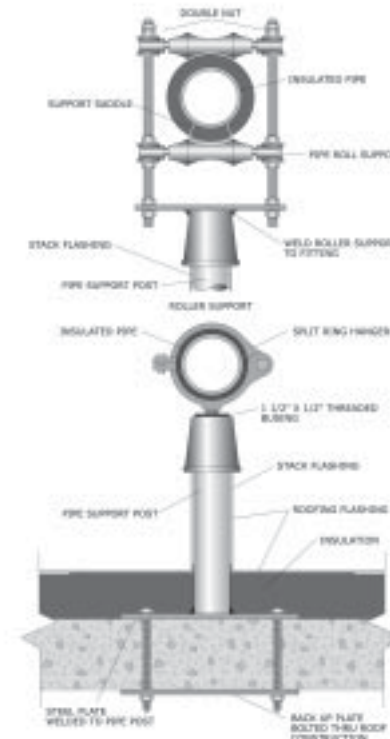


Figure 75: Single pipe support.

**Step 1: Attach vertical support to the building structure**

Lay out all attachment points before anchoring, then refer to Attachment Details Connecting to Building Structure (page 102). For instructions on installing anchors, see Anchors (page 107).

**Step 2: Assemble support and attach to building structure**



**Apply flashing to roof penetration.**

**Step 3: Run pipe as required by approved construction documents**

**END OF DETAIL.**

**Wood blocking support**

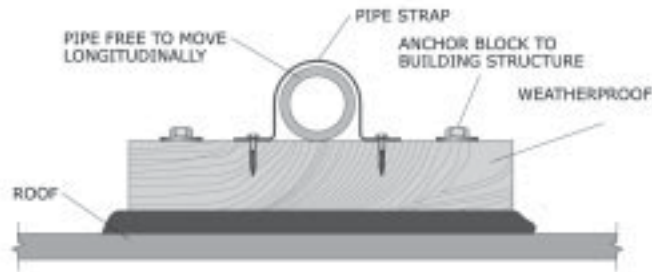


Figure 76: Wood blocking support.

**Step 1: Attach wood support to the building structure**

Lay out all attachment points before anchoring, then refer to Attachment Details Connecting to Building Structure (page 102). For instructions on installing anchors, see Anchors (page 107).

**Step 2: Apply flashing or sealant to roof penetration**



**Follow the manufacturer's instructions.**

**Step 3: Run pipe as required by approved construction documents**

**END OF DETAIL.**

**Trapeze support**

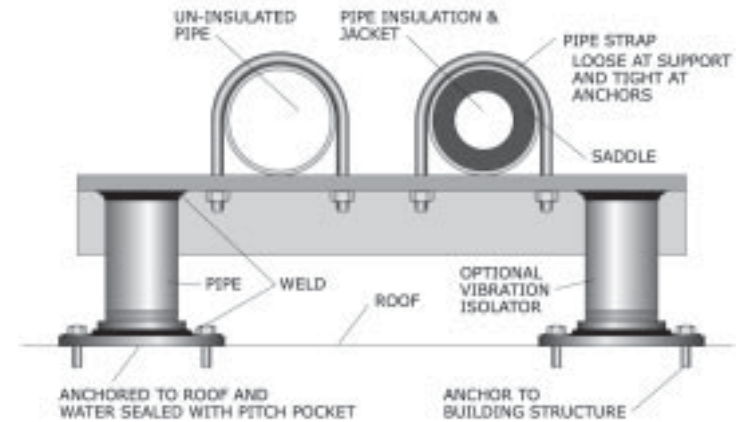


Figure 77: Trapeze support.



**Refer to approved contract documents for pitch pocket details.**



**Separate isolated piping from rigidly braced piping.**

**Step 1: Lay out the pipe run**

Lay out all attachment points before anchoring.

**Step 2: Install anchors for bracing**

For instructions on installing anchors, see Anchors (page 107).

**Step 3: Assemble angles and secure to anchors**

**Step 4: Run pipe as required by approved construction documents**

Attach piping to trapeze support with pipe straps or U-bolts. Provide hard insulation and sheet metal protection shield at the support area.

**END OF DETAIL.**

## Wall-mounted Piping

Directly attach to the wall with two-hole pipe clamps as shown in Figure 78 (below) or with angle brackets as shown in Figure 79 (page 77) and Figure 80 (page 78).

Piping surface-mounted from the underside of a building structural slab or rated structural ceiling should be attached as shown in Figure 78 (below).

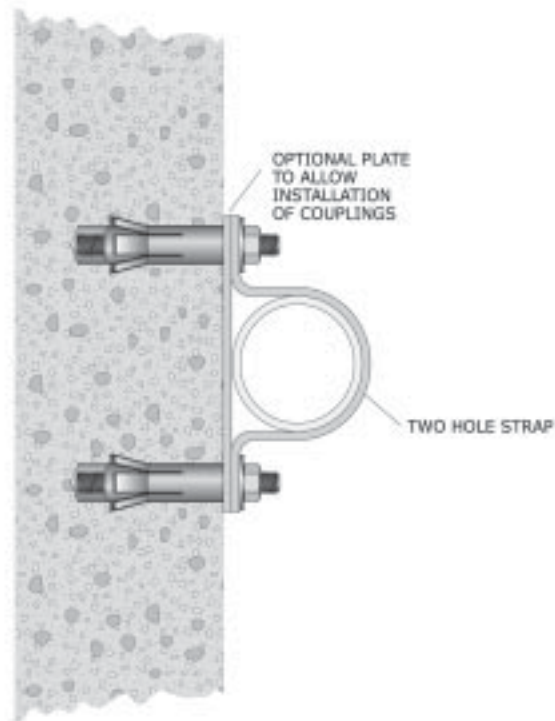


Figure 78: Direct attachment.

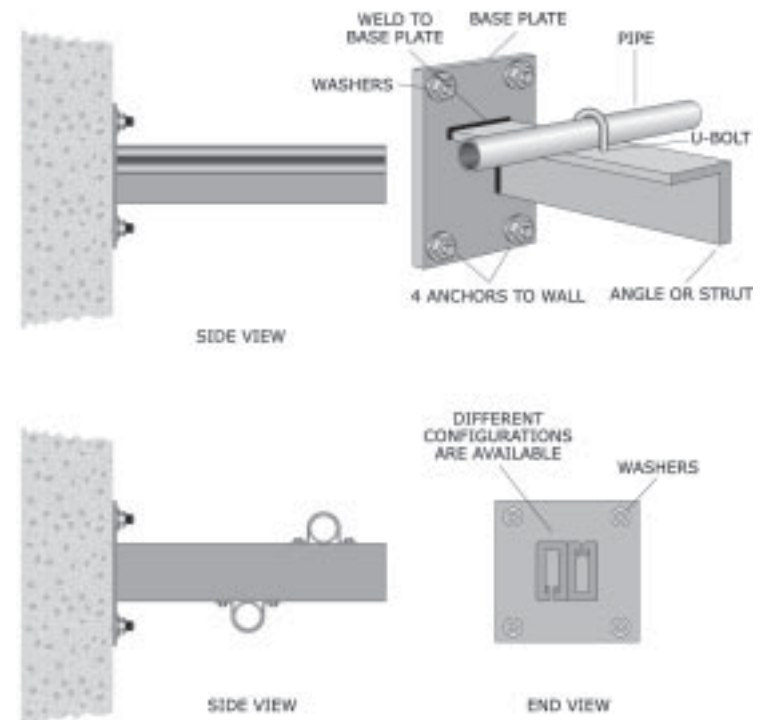


Figure 79: Attachment to the wall with angle or strut welded to attachment plate.



**Refer to approved construction documents for limitations to length of standoffs.**

## Bracing Details and Installation Instructions: Wall-mounted Piping

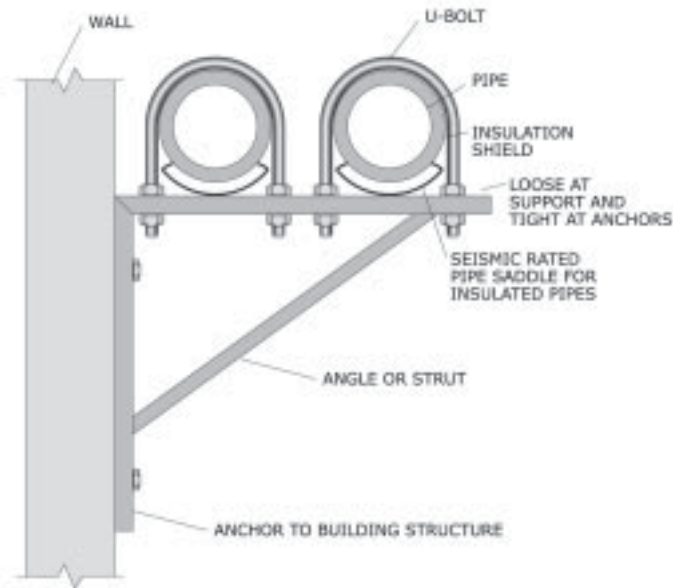


Figure 80: Attachment to studs in the wall with pre-manufactured brackets.

### Step 1: If required, attach supports or angles to the wall

For instructions on installing anchors, see Anchors (page 107).



**Building structure must be point-load capable. Verify with the appropriate design professional.**

For drywall attachments, use a strut attachment to the studs as shown in Figure 55 (page 48).

### Step 2: Attach pipe to support with straps

END OF DETAIL.

## Pipe Penetrations

The two types of pipe penetrations are:

- Roof pipe penetrations (below).
- Interior pipe penetrations (page 82).

### Roof pipe penetrations

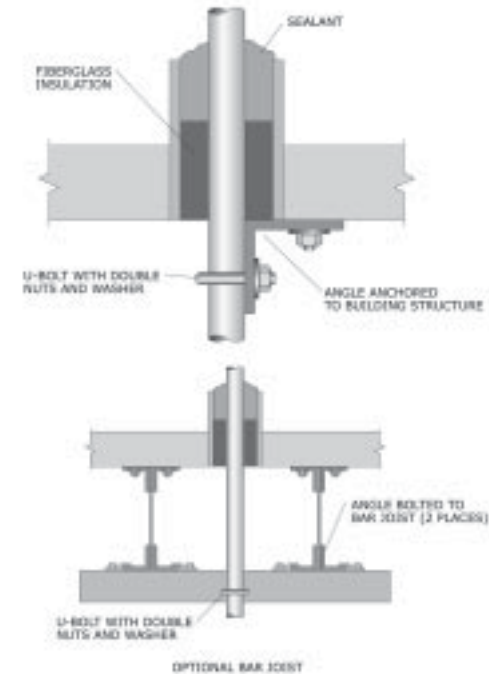


Figure 81: Roof pipe penetration detail.



**Refer to Attachment Details Connecting to Building Structure (page 102) for bar joist attachment.**



**Verify that the bar joist is point load capable.**

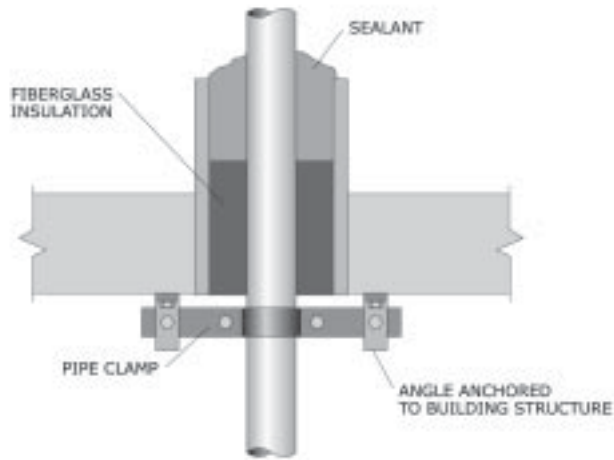


Figure 82: Roof pipe penetration detail.

**Step 1: Lay out location of penetration**



**Coordinate the layout with a structural engineer. Additional structural supports may be required.**

Lay out all attachment points before anchoring.

**Step 2: Install anchors and attach angles to building structure**

For instructions on installing anchors, see Anchors (page 107).

**Step 3: Run pipe as required by approved construction documents**

Attach pipe to angle assembly with angles and U-bolts or with pipe clamp.



**Add flashing as required by approved construction documents or as directed in manufacturer's instructions**

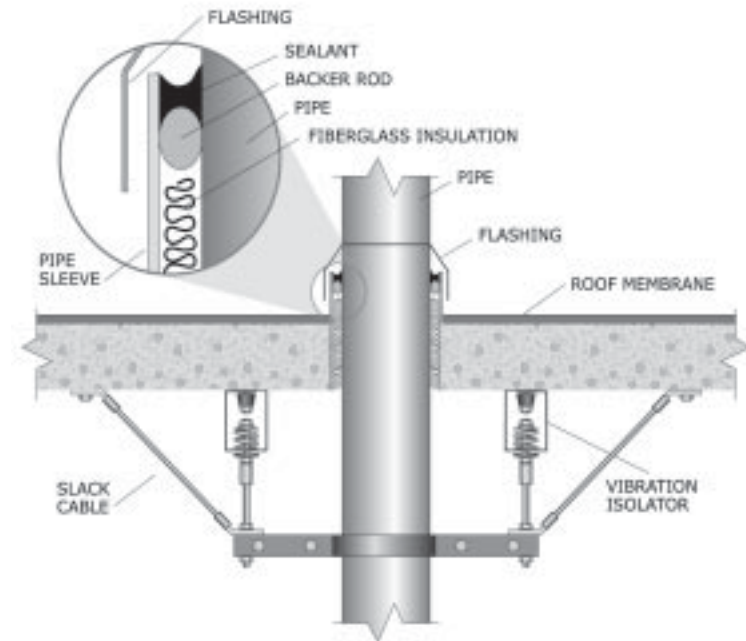


Figure 83: Isolated pipe roof penetration detail.



**Separate isolated piping from rigidly braced piping.**

**END OF DETAIL.**

Interior Pipe Penetrations

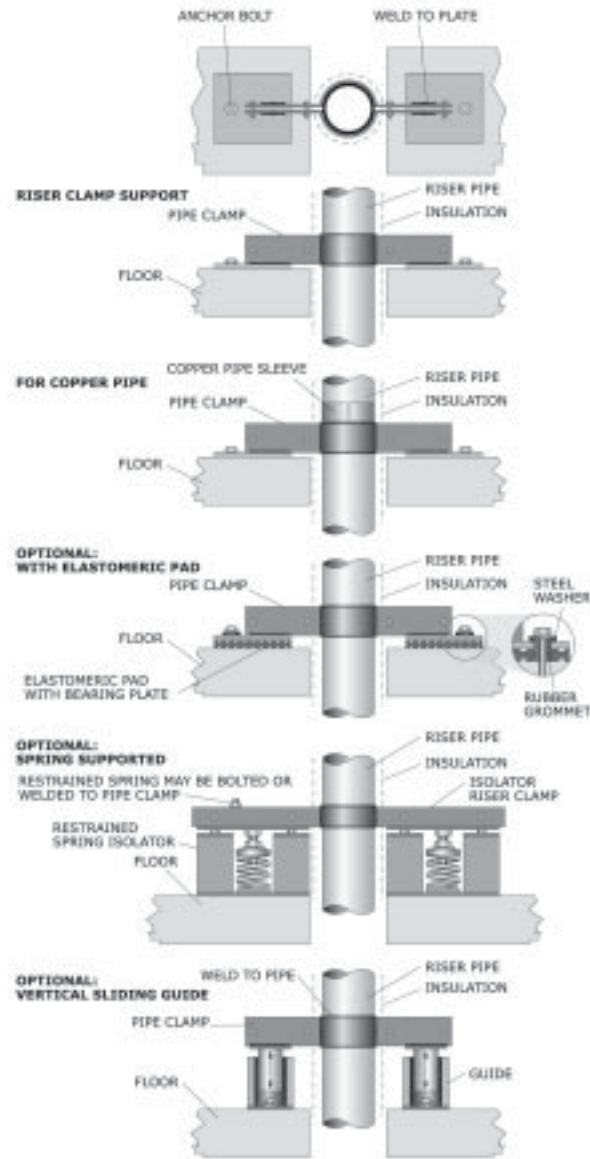


Figure 84: Interior pipe penetration detail.

Step 1: Lay out location of penetration

**!** Coordinate the layout with a structural engineer. Additional structural supports may be required.

Lay out all attachment points before anchoring.

Step 2: Install anchors and attach angles to building structure

For instructions on installing anchors, see Anchors (page 107).

Step 3: Run pipe as required by approved construction documents

Attach pipe to angle assembly with angles and U-bolts or with pipe clamp.

**!** Piping penetrating walls/floor slabs/roofs must be installed per approved construction documents, submittals, or manufacturer's instructions.

**!** Rigid attachment to lightweight walls may cause vibration problems.

**!** Separate isolated piping from rigidly braced piping.

END OF DETAIL.



## SUSPENDED EQUIPMENT ATTACHMENT

 Do not mix bracing systems for strut and cable bracing.

This section provides instructions for equipment that is:

- Suspended by threaded rods connected to equipment brackets or additional steel supports (this page).
- Suspended by steel shapes (page 95).
- Suspended by threaded rods for in-line pipe equipment (page 97).

### Suspended by Threaded Rods Connected to Equipment Brackets or Additional Steel Supports

The four ways to suspend equipment with threaded rods or steel supports are:

- Rigid connection to the building structure using four threaded rods with lateral cable bracing (page 85).
- Rigid connection to the building structure using four threaded rods with lateral steel shaped bracing (page 88).
- Vibration-isolated connection to the building structure using a minimum of four threaded rods and lateral cable bracing (page 90).
- Two-point equipment attachment—bolted to the building structure (page 93).

### Rigid connection to the building structure using four threaded rods with lateral cable bracing

 Equipment should have pre-installed brackets that can support the attachment to the building.

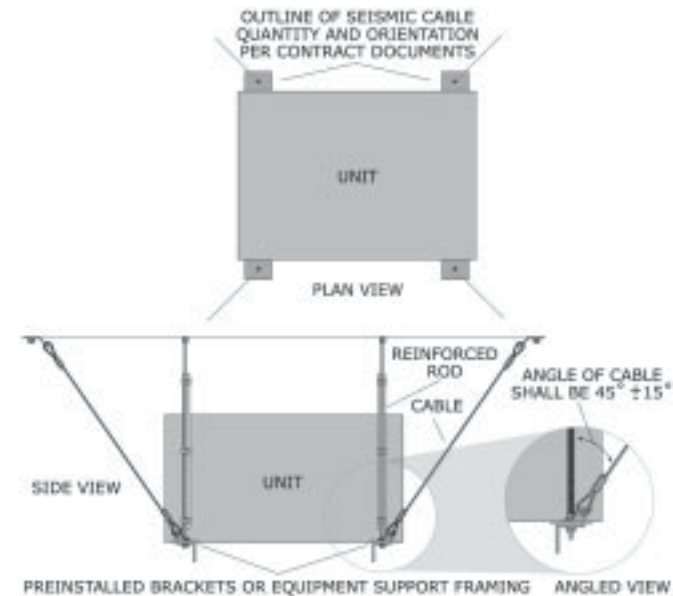



Figure 85: Rigid connection to the building structure.

 Cables provide horizontal support for seismic loads and should not be installed to hang equipment.

### Step 1: Attach the equipment to the building structure using threaded rods and anchors

Lay out all attachment points before anchoring, then refer to Attachment Details Connecting to Building Structure (page 102). For instructions on installing anchors, see Anchors (page 107).

**Step 2: Add rod stiffeners**

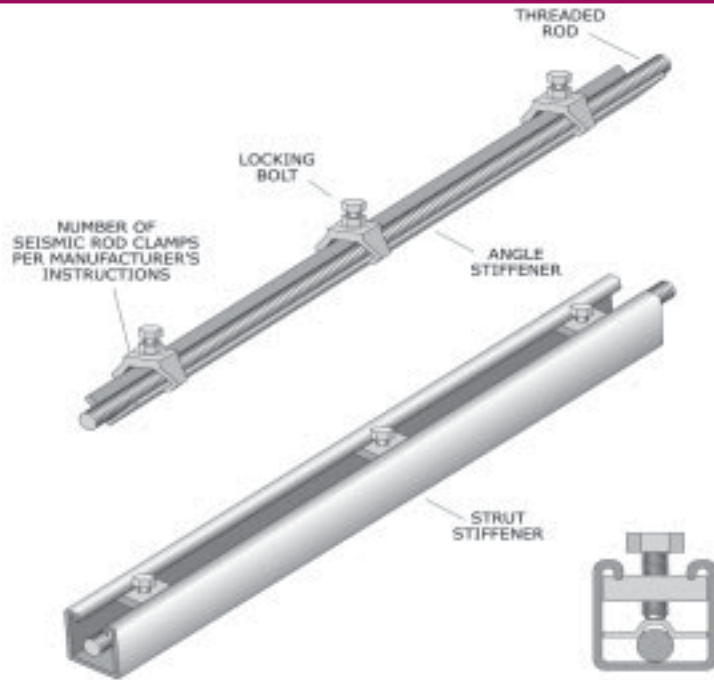


Figure 86: Rod stiffeners.

**Step 3: Install anchors for cable attachment**

Lay out all attachment points before anchoring, then refer to Attachment Details Connecting to Building Structure (page 102). For instructions on installing anchors, see Anchors (page 107).

**Step 4: Attach cable to the building structure**

For cable assembly instructions, see Cables (page 134). For details on attaching cable to the building structure, refer to Attachment Details Connecting to Building Structure (page 102).

**Step 5: Attach cables to equipment**

For details on attaching cable to the equipment, see Figure 87 (below).

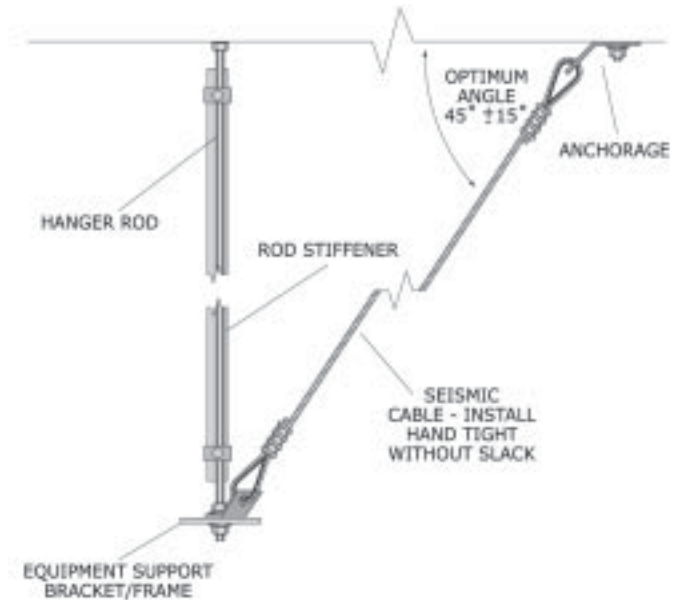


Figure 87: Attachment of cable to the equipment.

**END OF DETAIL.**

## Suspended Equipment: Threaded Rods Connected to Equipment Brackets or Additional Steel Supports

### Rigid connection to the building structure using four threaded rods with lateral steel shaped bracing

Equipment may have pre-installed brackets for angle support attachments as shown in Figure 88 (below).

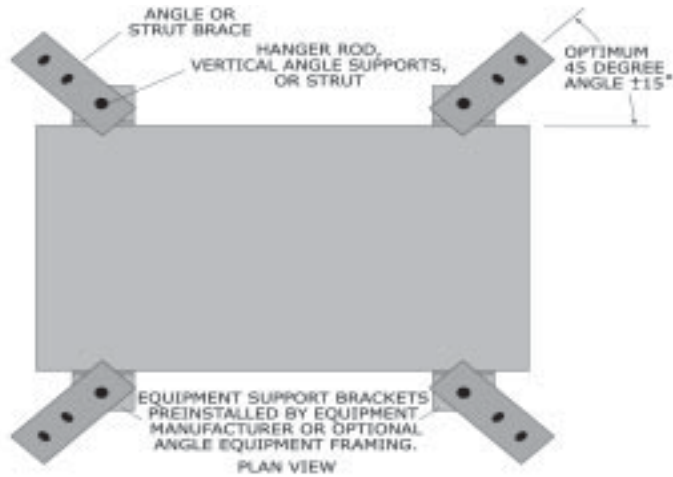


Figure 88: Rigid attachment of angles to the building structure.

### Step 1: Attach the equipment to the building structure using threaded rods and anchors

Lay out all attachment points before anchoring, then refer to Attachment Details Connecting to Building Structure (page 102). For instructions on installing anchors, see Anchors (page 107). Rod stiffeners are not required.

### Step 2: Install anchors for angle or strut supports

For building structure attachment details, see Attachment Details Connecting to Building Structure (page 102). For instructions on installing anchors, see Anchors (page 107).

## Suspended Equipment: Threaded Rods Connected to Equipment Brackets or Additional Steel Supports

### Step 3: Attach angles or strut supports to the building structure

### Step 4: Attach angles or struts to equipment

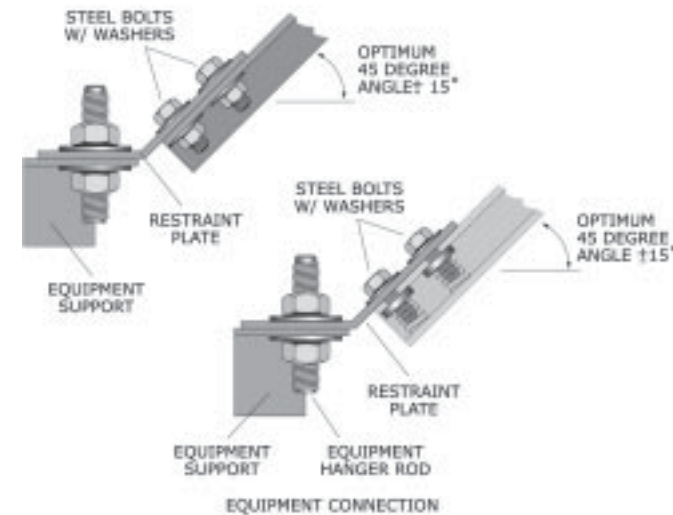


Figure 89: Attachment of angle or strut to the equipment.

**END OF DETAIL.**

**Vibration-isolated connection to the building structure using a minimum of four threaded rods and lateral cable bracing**

**Step 1: Attach equipment to the building structure using threaded rods, isolators and anchors**

Equipment may have pre-installed brackets for angle support attachments. See Figure 90 (below) and Figure 91 (below).

For isolator detail, see Figure 92 (below). For building structure attachment details, refer to Attachment Details Connecting to Building Structure (page 102).

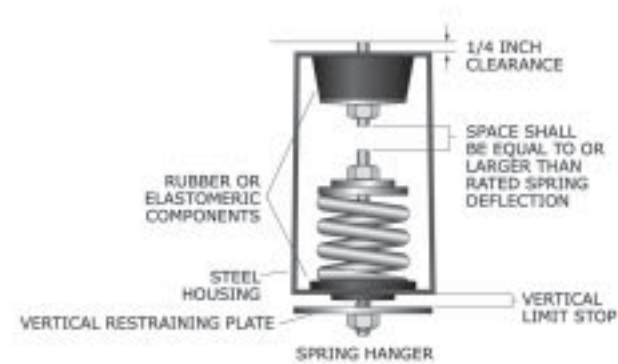
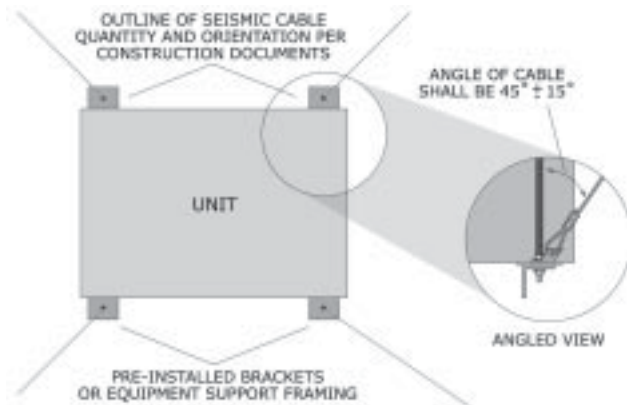


Figure 90: Plan view of vibration-isolated, suspended attachment to the building structure.

Figure 92: Isolator detail.

Side view shows vibration isolators, rods (without rod stiffeners), and cables.

**Step 2: Install anchors and attach cable to the building structure**

For cable connection to the building structure, refer to Attachment Details Connecting to Building Structure (page 102). For instructions on installing anchors, see Anchors (page 107).

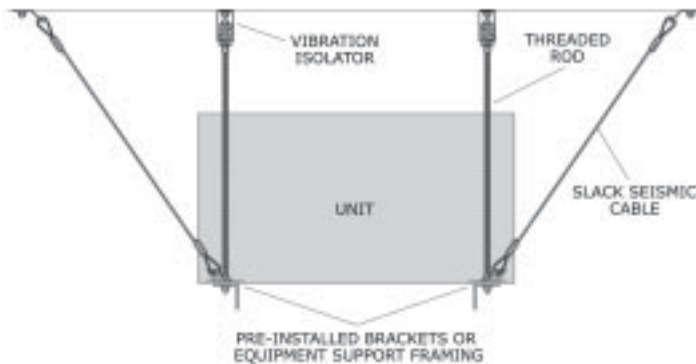


Figure 91: Side view of vibration-isolated, suspended attachment to the building structure.

**Step 3: Attach cables to equipment**

For cable assembly, see Cables (page 134). For cable attachment to equipment, see Figure 93 (below).

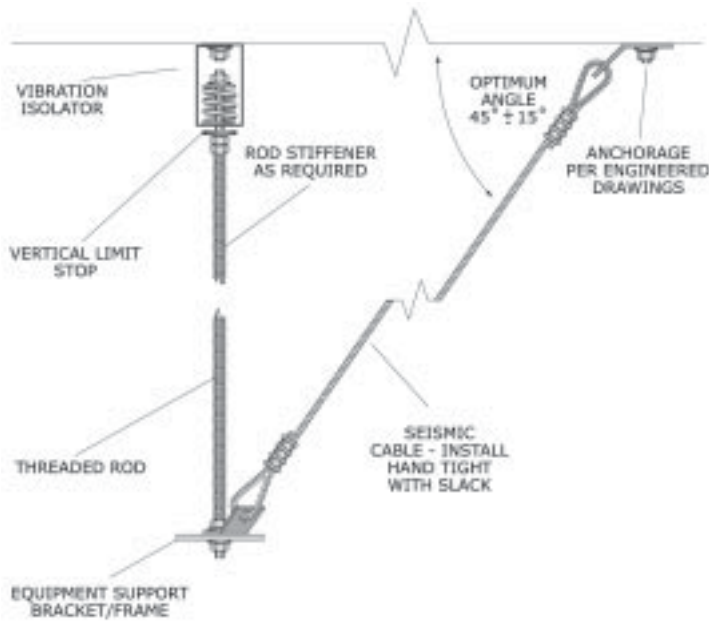


Figure 93: Attachment of cable/rod assembly to the equipment.

**Step 4: Re-adjust vertical stop limit after support is fully loaded**

Verify the adjustments of the vibration isolators with manufacturer's/industry manuals.

**END OF DETAIL.**

**Two-point equipment attachment—bolted to the building structure**

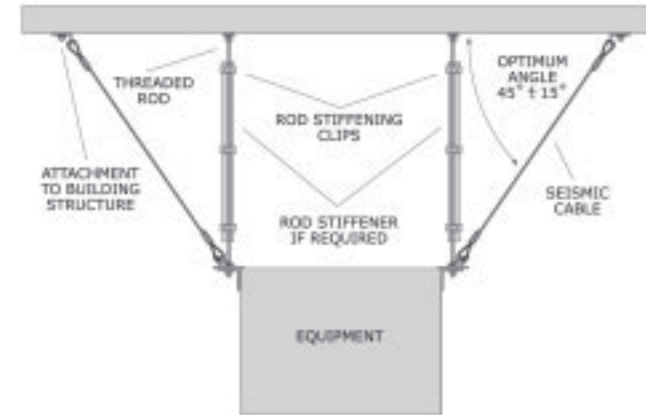


Figure 94: Two-point equipment attachment.

## Suspended Equipment: Threaded Rods Connected to Equipment Brackets or Additional Steel Supports

### Step 1: Attach anchors and vertical rods to the building structure

Lay out all attachment points before anchoring, then refer to Attachment Details Connecting to Building Structure (page 102). Attach equipment to the vertical rods.



**The equipment attachment should be located just above the center of gravity of the equipment to minimize swinging. It should be a rigid attachment with brackets to the equipment using double nuts and washers, especially if connected at the top as shown in Figure 94 (page 93).**

### Step 2: Attach rod stiffeners

For attachment details, refer to Figure 86 (page 86).

### Step 3: Install anchors for cable attachment

For typical anchorage to different building construction, refer to Attachment Details Connecting to Building Structure (page 102). For details on bolting directly to building structure, see Anchors (page 107).

### Step 4: Attach cables to the building structure

For cable assembly see Cables (page 134). For details on attaching cable to the building structure, refer to Attachment Details Connecting to Building Structure (page 102).

### Step 5: Attach cables to equipment

The detail in Figure 87 (page 87) shows the cable attachment to the equipment.

**END OF DETAIL.**

## Suspended by Steel Shapes

### Double steel shaped supports with steel shaped lateral bracing

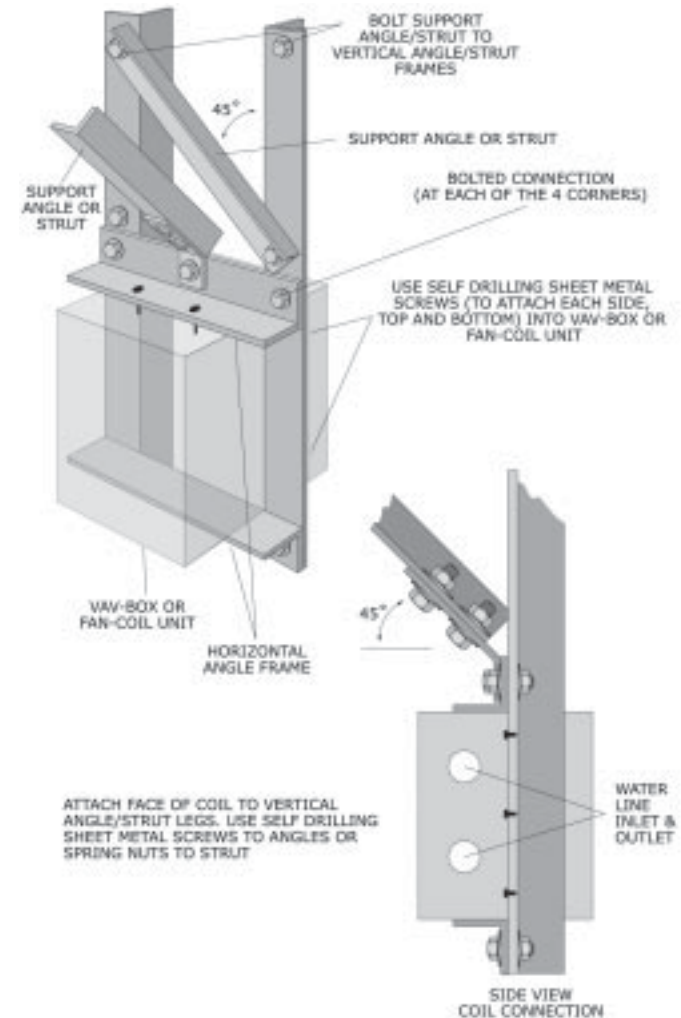


Figure 95: Attachment of double angles for equipment support.

Use this type of installation for duct-mounted coils, VAV boxes, or fan-coil units weighing less than 150 pounds.

## Suspended Equipment: Steel Shapes

### Step 1: Attach anchors and vertical angles or strut to the building structure

For building structure attachment details, refer to Attachment Details Connecting to Building Structure (page 102).

### Step 2: Attach horizontal framing

For attachment details, refer to Attachment Details Connecting to Building Structure (page 102).

### Step 3: Install anchors for angle or strut restraints

For typical anchorage to different building construction, refer to Attachment Details Connecting to Building Structure (page 102). For instructions on installing anchors, see Anchors (page 107).

### Step 4: Attach support angles or struts

One support is attached to the two vertical angles or struts. One support is attached to the building structure and to the top horizontal frame. For details on angle or strut attachment, refer to Attachment Details Connecting to Building Structure (page 102).

### Step 5: Attach equipment

Attach equipment to the support assembly as shown in Figure 95 (page 95).

**END OF DETAIL.**

## Suspended by Threaded Rods for In-line Pipe Equipment

This section describes the following three types of in-line pipe equipment suspended by threaded rods:

- In-line pump (below).
- In-line air separator (page 99).
- In-line heat exchanger (page 100).

### In-line Pump

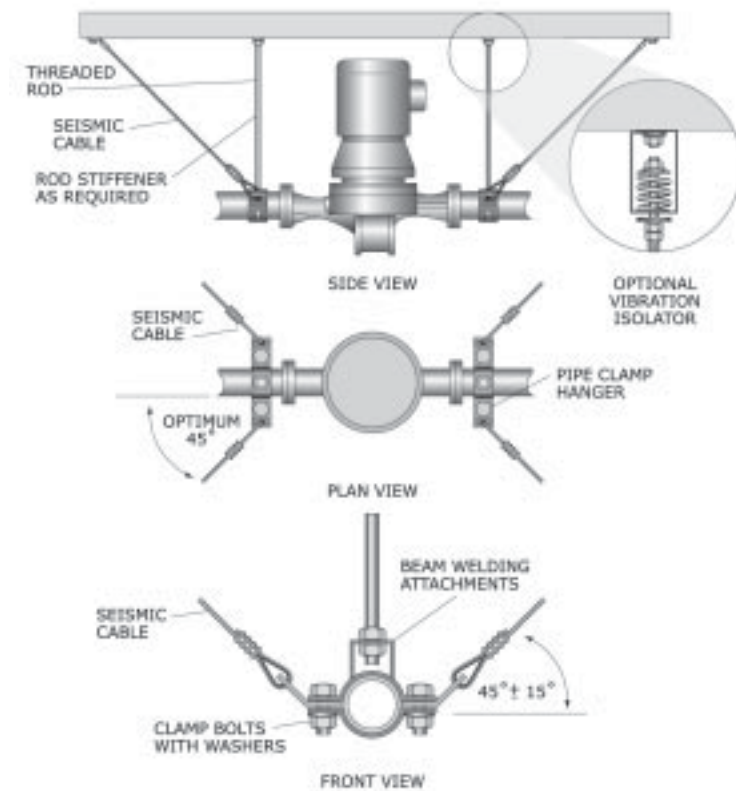


Figure 96: In-line pump.



**Step 1: Attach pipe clamps to the building structure using threaded rods and anchors**

Lay out all attachment points before anchoring, then refer to Attachment Details Connecting to Building Structure (page 102). For instructions on installing anchors, see Anchors (page 107).

**Step 2: Add rod stiffeners**

For rod stiffener details, refer to Figure 86 (page 86).

**Step 3: Install anchors for cable bracing**

Attach cable seismic brackets with anchors. For typical anchorage to different building construction, refer to Attachment Details Connecting to Building Structure (page 102). For instructions on installing anchors, see Anchors (page 107).

**Step 4: Attach seismic cable**

For cable assembly, see Cables (page 134).

**END OF DETAIL.**

**In-line Air Separator**

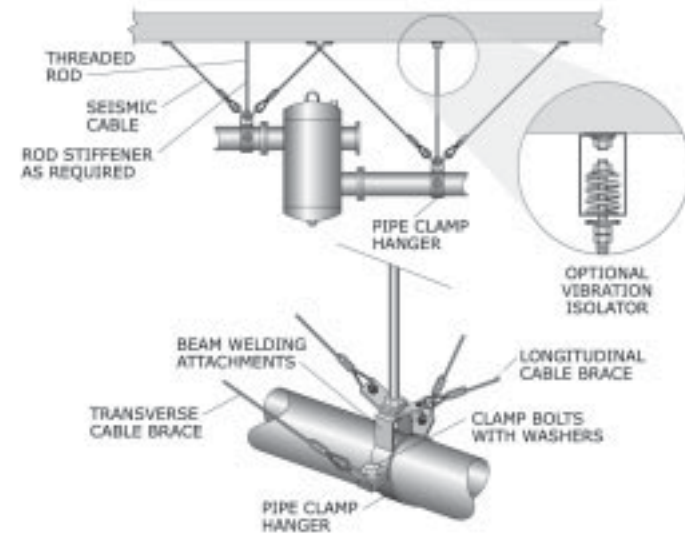


Figure 97: In-line air separator.

**Step 1: Attach pipe clamps to the building structure using threaded rods and anchors**

Lay out all attachment points before anchoring, then refer to Attachment Details Connecting to Building Structure (page 102). For instructions on installing anchors, see Anchors (page 107).

**Step 2: Add rod stiffeners**

For rod stiffener details, refer to Figure 86 (page 86).

**Step 3: Install anchors for cable bracing**

Attach cable seismic brackets with anchors. For typical anchorage to different building construction, refer to Attachment Details Connecting to Building Structure (page 102). For instructions on installing anchors, see Anchors (page 107).

**Step 4: Attach seismic cable**

For cable assembly, see Cables (page 134).

**END OF DETAIL.**

**In-line Heat Exchanger**

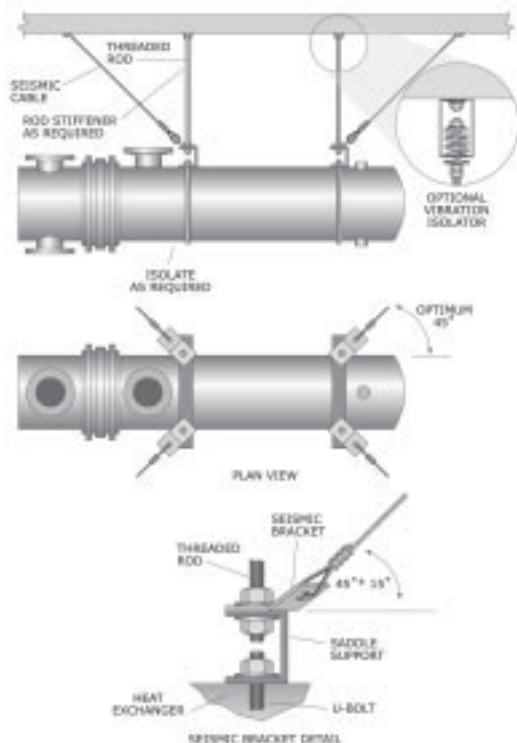


Figure 98: In-line heat exchanger.

**Step 1: Attach pipe clamps to the building structure  
using threaded rods and anchors**

Lay out all attachment points before anchoring, then refer to Attachment Details Connecting to Building Structure (page 102). For instructions on installing anchors, see Anchors (page 107).

**Step 2: Add rod stiffeners**

For rod stiffener details, refer to Figure 86 (page 86).

**Step 3: Install anchors for cable bracing**

Attach cable seismic brackets with anchors. For typical anchorage to different building construction, refer to Attachment Details Connecting to Building Structure (page 102). For instructions on installing anchors, see Anchors (page 107).

**Step 4: Attach seismic cable**

For cable assembly, see Cables (page 134).

**END OF DETAIL.**

## ATTACHMENT DETAILS CONNECTING TO BUILDING STRUCTURE

This section details seven types of attachments to building structures:

- To concrete fill on steel deck (this page).
- To wood beam (page 103).
- To I-beam (page 103).
- To bar joist (page 104).
- To concrete slab (page 104).
- Cable brace attachment (page 105).
- Steel shaped brace attachment (page 106).

### To concrete fill on steel deck

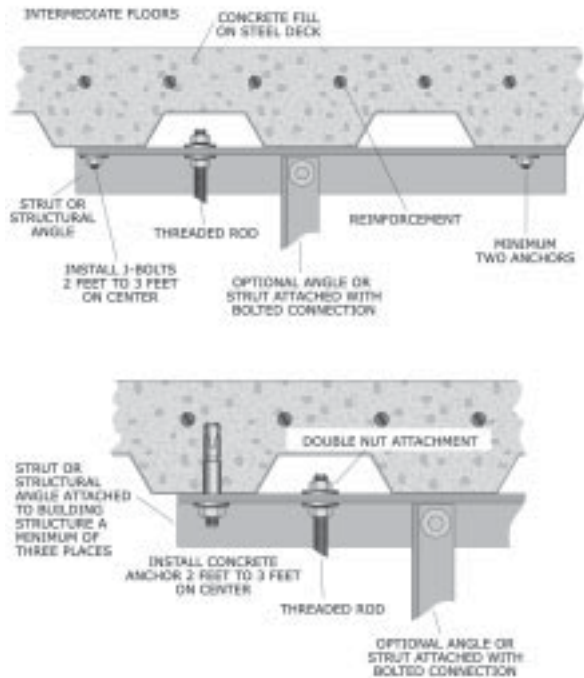


Figure 99: Post-installed anchor; concrete fill on steel deck.

END OF DETAIL.

## Attachment Details Connecting to Building Structure

### To wood beam

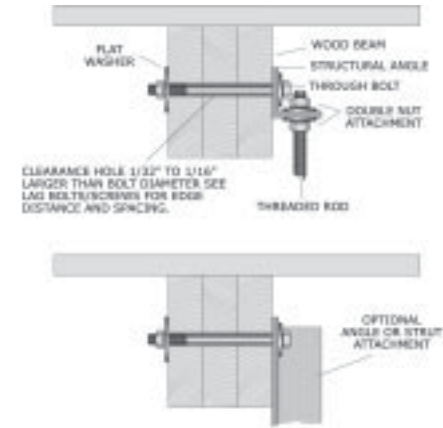


Figure 100: Wood beam construction.

 **For edge distance and spacing, see Lag Bolts (page 116).**

END OF DETAIL.

### To I-beam

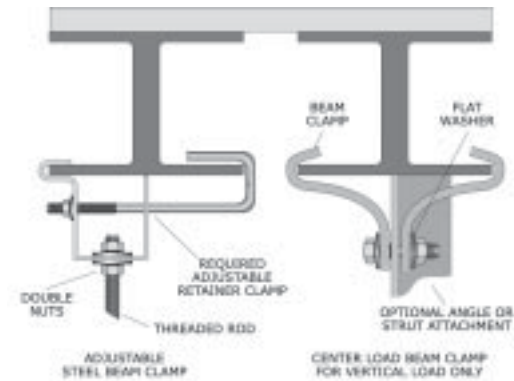


Figure 101: Steel I-beam construction.

 **Use center load beam clamps for vertical loads. Do not use for cables, rods, or structural members positioned at an angle.**

END OF DETAIL.

To bar joist

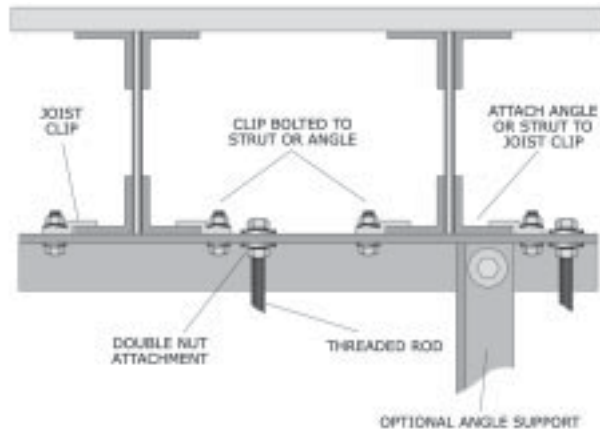


Figure 102: Bar joist construction.



**Use center load beam clamps for vertical loads. Do not use for cables, rods, or structural members positioned at an angle.**

**END OF DETAIL.**

To concrete slab

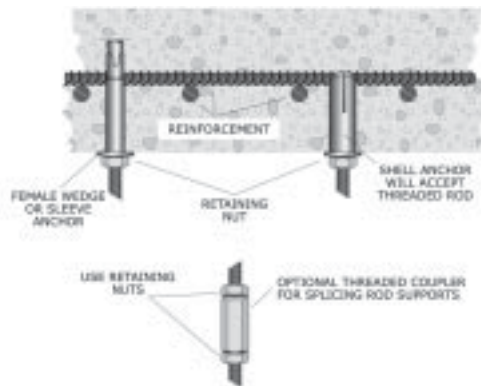


Figure 103: Concrete slab construction.

**END OF DETAIL.**

Cable brace attachment

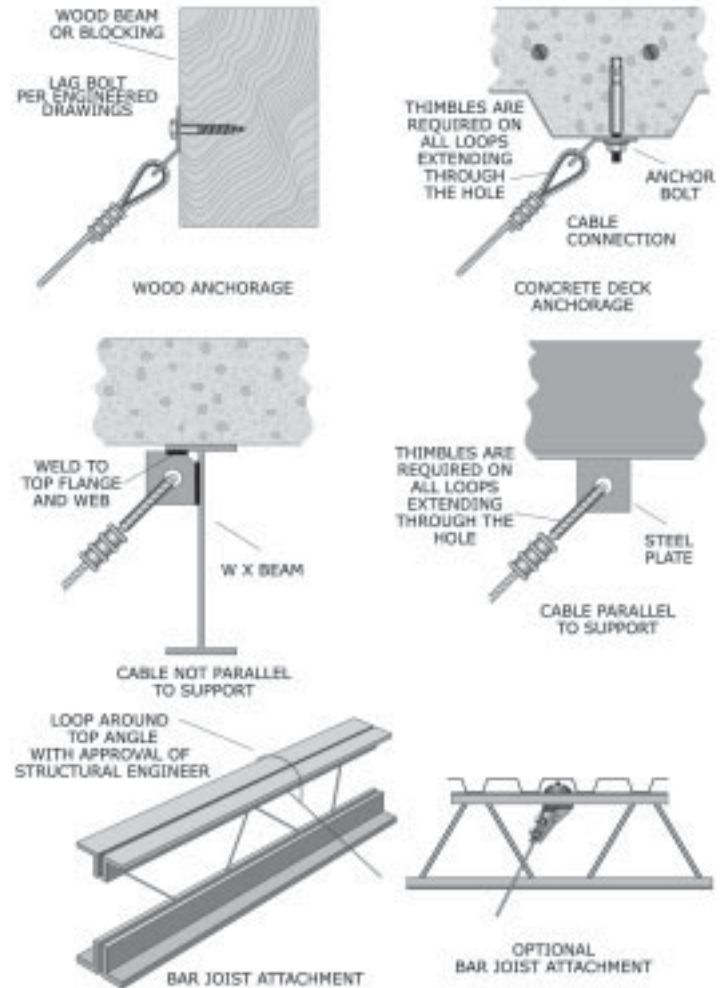


Figure 104: Attachment of cable brace to the building structure.

**END OF DETAIL.**

Steel shaped brace attachment

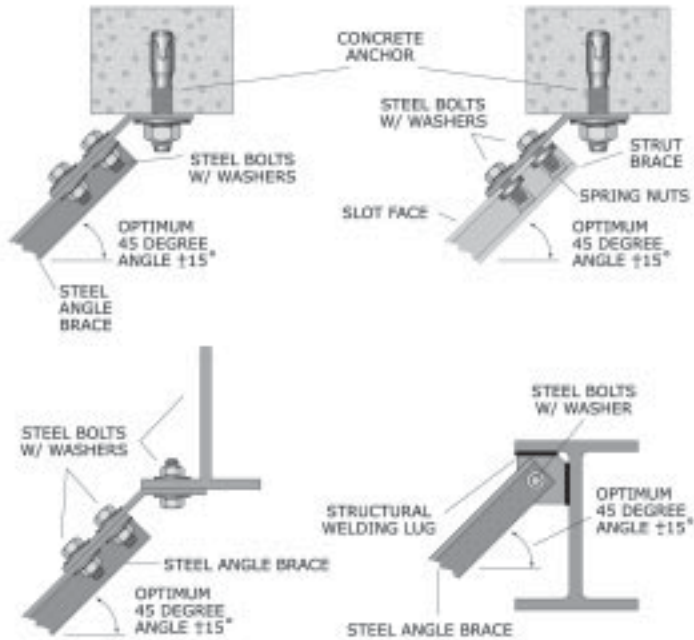


Figure 105: Attachment of angle or strut to the building structure.

END OF DETAIL.

ANCHORS

General Anchors



**IMPORTANT:** Installation methods depend on the type of anchor and the particular application. Always follow the anchor manufacturer's installation instructions.



Figure 106: Types of anchors.



**Some anchors must not be used with vibratory loads.**

**Step 1: Determine the type of anchor**

Using Figure 105 (page 107), identify the anchor recommended for your application. Anchors 1-6 are post-installed anchors and instructions for installing them begin on this page. Anchors 7-11 are specialty anchors and instructions are shown on pages 114 to 132.

The various steps for installing anchors into concrete, brick, and concrete block are shown below.

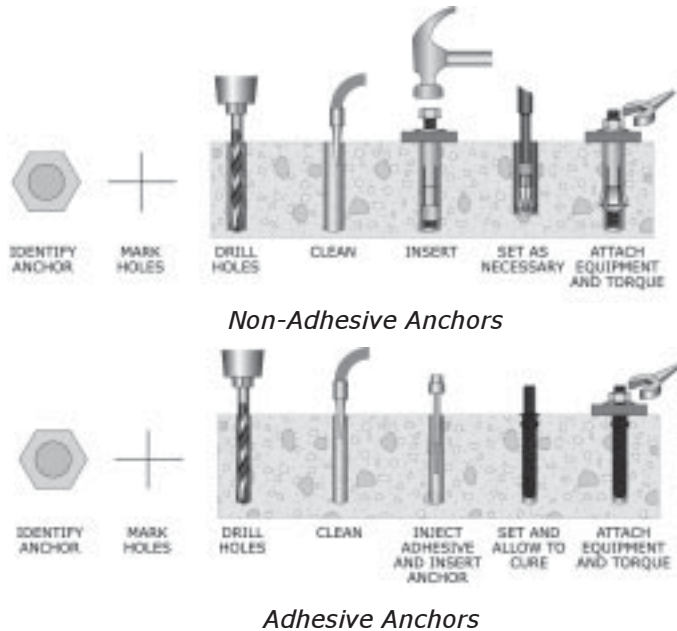




Figure 107: Summary of installation steps.

 **Approved construction documents may require special inspection to torque anchors or for proof load using hydraulic rams.**

**Step 2: Determine where to drill the hole**


To determine anchor locations for the equipment you are installing, follow the instructions for the equipment, bracing and attachment you are using (pages 16 to 106). Coordinate the equipment connections and hole locations with the location of any steel reinforcements or tendons.


Determine the depth and location of any steel reinforcement or tendons *before* drilling. This may require relocating equipment slightly to avoid the reinforcement.

 **FOR POST-TENSIONED (PRE-STRESSED) BUILDINGS, LOCATE THE TENDONS BEFORE DRILLING. EXTREME DAMAGE MAY OCCUR IF A TENDON IS NICKED OR CUT.**


When using electronic locating devices to find reinforcement and tendons, make sure you know the limitations of the device. Calibrate and test with a known standard or location to confirm accuracy. Check the area of concern in two directions. Inform the contractor performing the work of the precision of the test unit and record the results. For example: *agreed upon mark +/- 1/4" location vertical, horizontal, and depth +/- 1/2".*

Coordinate the location of anchors with the edge of the concrete, construction joints, and other anchors.

 **Do not install the anchor too close to the edge of the concrete base. Typically, the anchor's distance from the edge is 1 1/2 times the embedment depth.**


 **Do not install an anchor too close to another anchor. Typically, the minimum spacing between anchors is two times the anchor's embedment depth.**

**Step 3: Drill the hole**

 **Drill the right-sized hole for the anchors. Use the appropriate ANSI-rated drill bit for the application.**

 **Do not drill holes into concrete at an angle.**

For wedge, undercut and sleeve anchors, drill the hole deeper than the required embedment depth.

 **The required hole depth may be different from the embedment depth. See Figure 107 (page 110).**



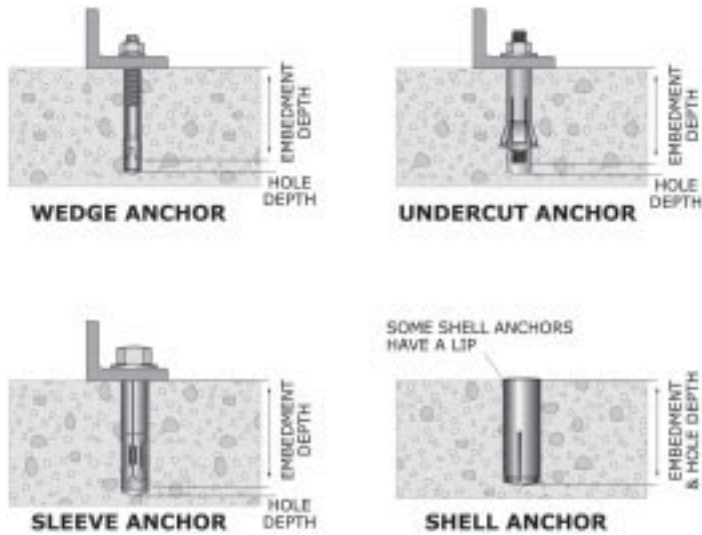


Figure 108: Embedment depth and hole depth of four anchor types.

The depth of the concrete base must be at least one inch greater than the hole you are drilling.



**Some undercut anchors require an even deeper concrete base.**



**If you strike steel reinforcement when drilling, you must have the damage inspected. As directed, fill the hole with approved grout and select a new location according to minimum spacing requirements. Drill a new hole (see Figure 109 below).**

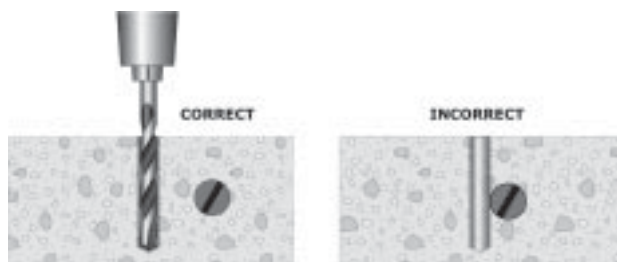


Figure 109: Drilling into concrete with rebar.

### Step 4: Clean out the hole

Drilled holes must be cleaned before you can insert the anchor. Use clean, dry compressed air to blow out dust and debris. The type of anchor or application also may require you to use a brush.



**See the anchor manufacturer's instructions for cleaning the hole.**



**CLEANING IS IMPORTANT: a "dirty" hole can significantly reduce an anchor's performance.**

### Step 5: Insert the anchor

If you are installing any anchor *other than* an adhesive anchor, drive the anchor into the hole with a hammer or use a wrench rotor hammer for concrete bolts.



**IMPORTANT: DO NOT DAMAGE THE THREADS DURING INSTALLATION. DO NOT FORCE THE ANCHOR. If you use a larger hammer than recommended by the manufacturer, you may damage the anchor.**

If you are installing an adhesive anchor, insert the capsule or inject non-capsule adhesive into the hole. Slowly rotate the anchor into place as shown in Figure 110 (below).



Figure 110: Adhesive anchor installation.

If you have installed a wedge or sleeve anchor, go to Step 7 (page 113).



**Step 6: Setting adhesive, shell and undercut anchors ONLY**



**Adhesive Anchor:** Allow enough time for the adhesive to fully cure. The curing process may take a long time. See the manufacturer's instructions.



**Shell Anchor:** Drive the prescribed setting tool into the anchor until the setting tool shoulder meets the edge of the anchor, as shown below. See the manufacturer's instructions.



Figure 111: Set shell anchors.



**Undercut Anchor:** Use special tools provided by the anchor manufacturer to set the anchor, as shown below. See the manufacturer's instructions.

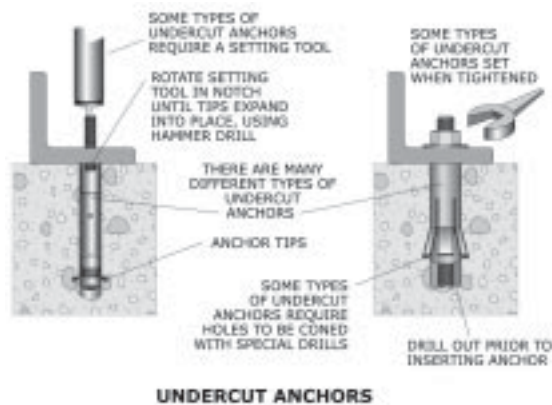


Figure 112: Set undercut anchors.

**Step 7: Set the equipment and tighten the anchors**

Set the equipment in place. Check for gaps. Gaps under the equipment must not be greater than 1/8" as shown below. If the gap is greater than 1/8", dry pack the gap with grout and repeat this step.

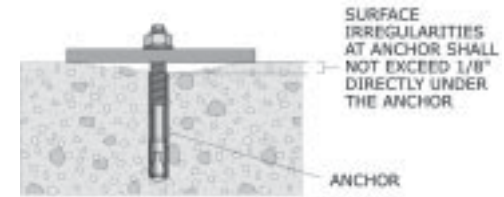


Figure 113: Acceptable gap for grouted plate.

For anchor bolts larger than 3/8", the equipment housing should be reinforced using a structural angle bracket as shown in Figure 114 (below).

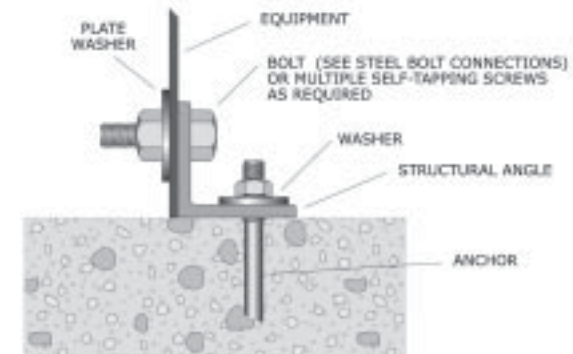


Figure 114: Installing a reinforcing angle bracket to equipment.



**Tighten the anchor bolt to the correct torque setting in the manufacturer's instructions or approved construction documents. Use a calibrated torque wrench.**

**END OF DETAIL.**

## Cast-in-place Anchors

Cast-in-place anchors are embedded in the concrete when the floors or walls are poured. Bolts are firmly held in place while the concrete is poured to maintain proper alignment and position. The size and location of the anchors can be determined from approved construction documents.

### Step 1: Move the equipment into place

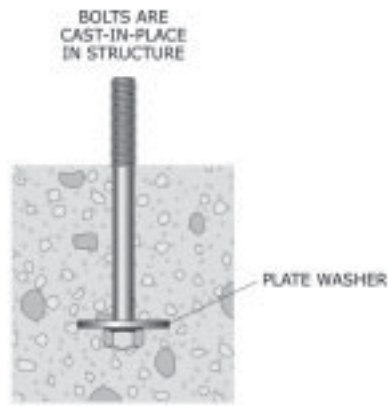


Figure 115: Bolting equipment to cast-in-place anchors.

### Step 2: Secure equipment

Once the equipment is in place, apply washers and nuts and then tighten.



**Tighten the anchor bolt to the correct torque setting in the manufacturer's instructions or approved construction documents.**

Use a calibrated torque wrench or turn-of-nut method (see Table 5, page 127).

**END OF DETAIL.**

## Lag Bolts

Lag bolts are used to attach equipment or steel shapes to wood structures. The size and location of the anchors can be determined from approved construction documents (see Figure 116, below).

- The edge distance for the non-loaded side is 1½ times the bolt diameter.
- The edge distance for the loaded side is 4 times the bolt diameter.
- The spacing between bolts is 4 times the bolt diameter.
- The end distance is 7 times the bolt diameter.

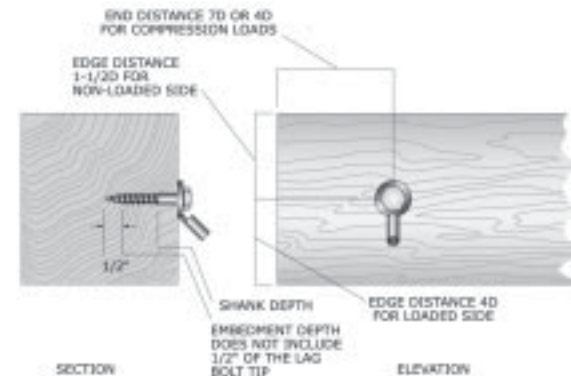


Figure 116: Spacing requirements for wood lag bolts.



**Figure 116 is allowed for cable attachments. If a strut is attached to wood, both edge distances are considered loaded and require 4 times the bolt diameter.**



**Do not anchor to the end grain.**

### Step 1: Mark the location of the lag bolts

Lead holes and clearance holes are not required for lag bolts that are 3/8" or smaller. If the lag bolt is smaller than 3/8", go to Step 4 (page 116).

## Anchors: Lag Bolts

### Step 2: Drill a clearance hole

Drill a hole with a drill bit the same size as the shank of the bolt. The depth of the hole is the same as the length of the unthreaded shank that will extend into the wood (see Figure 116, page 115).

### Step 3: Drill a lead hole

Drill a hole with a drill bit that is 60% to 70% of the diameter of the shank of the bolt. The depth of the hole is the same as the embedment depth of the bolt.

### Step 4: Move the equipment or steel shape into place

### Step 5: Install the lag bolt with a wrench

You may use soap or other lubricant on the lag bolt.



**DO NOT USE A HAMMER TO INSTALL LAG BOLTS.**

### Step 6: Tighten the bolt

Hand-adjust the lag bolt until there is firm contact between the lag bolt and connected metal components. Hand tools may be used to bring the lag bolt and metal components into contact. Following contact, tighten nut as shown in Table 5 (page 127).

**END OF DETAIL.**

## Masonry and Drywall Anchors

### Step 1: Determine the type of anchor

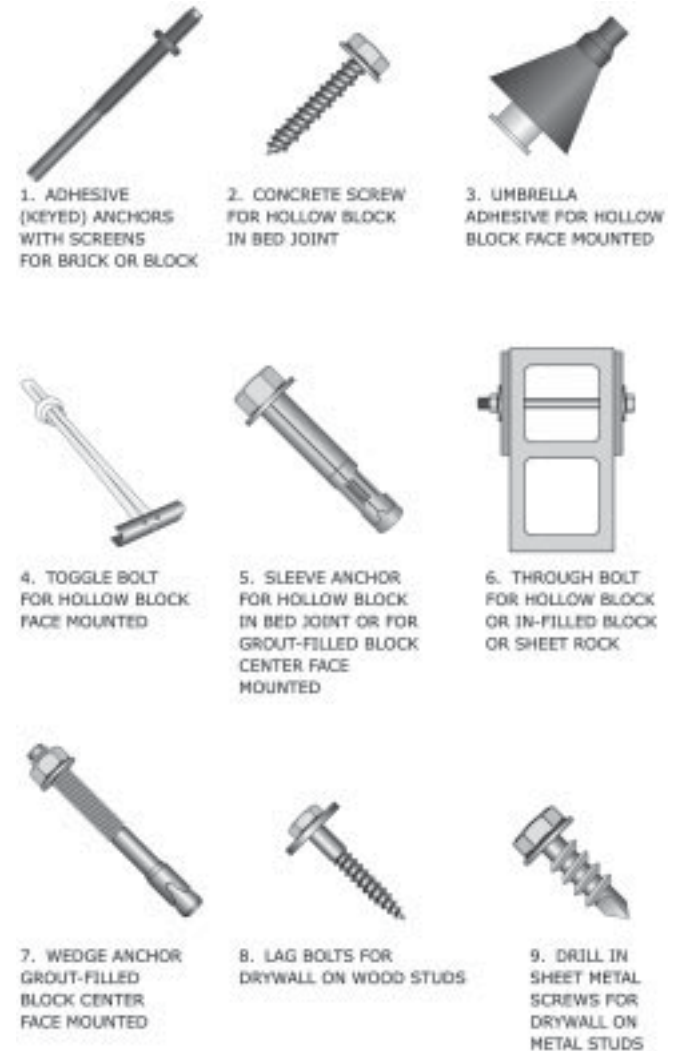


Figure 117: Types of masonry and drywall anchors.

**Step 2: Determine where to drill the hole**

Anchors shown in Figure 117 (page 117) must be installed in specific areas of hollow block and in-filled block. See Figure 118 (below) for approved anchor hole locations when using any of the concrete block anchors shown in Figure 117.

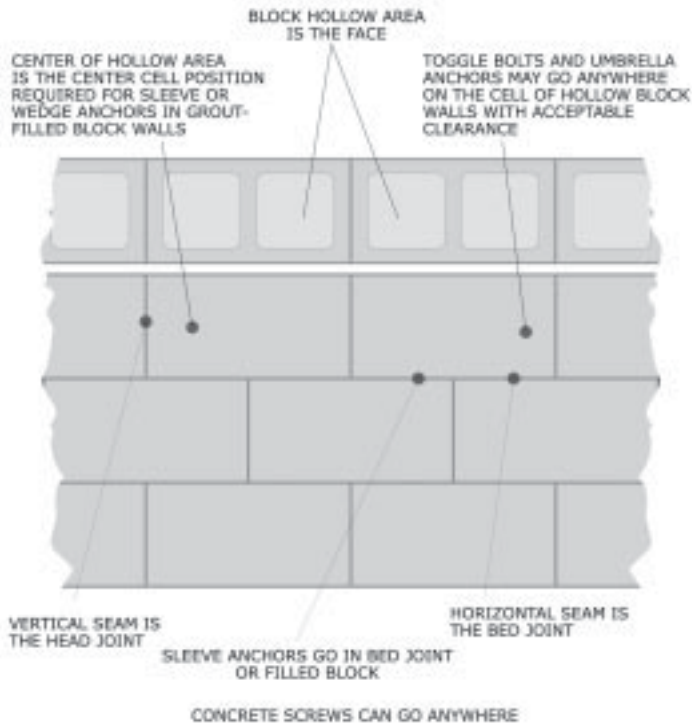


Figure 118: Block wall locations.

The location of the anchors should be coordinated with the block webs, or centered in the cell face, and properly spaced from other anchors.



**DO NOT POSITION THE HOLES IN THE HEAD JOINT.** Carefully note the location of anchors in the face location, centered face location, and bed joint as they apply to different anchors.



**Find webs in block walls, reinforcements in grout-filled walls, or studs in drywall. Location of through-bolts: Avoid webs in concrete block and studs in drywall walls.**



**Location of lag bolts and sheet metal screws in drywall: Install in a wood or metal stud as appropriate.**



**Determine the depth and location of any steel reinforcement in grout-filled block walls or brick before drilling. This may require relocating equipment slightly to miss reinforcement.**

When using electronic locating devices to find reinforcements and tendons, make sure you know the limitations of the device. Calibrate and test with a known standard or location to confirm accuracy. Check the area of concern in two directions. Inform the contractor performing the work of the precision of the test unit and record the results. For example: *agreed upon mark +/- 1/4" location vertical, horizontal, and depth +/- 1/2".*

**Step 3: Drill the hole**



**Drill the right-sized hole for the anchors. Use the appropriate ANSI-rated drill bit for the application.**

Use masonry drill bits for brick and block.



**DO NOT CUT STEEL REINFORCEMENT WHEN DRILLING HOLES.**



**If you strike steel reinforcement when drilling, you must have the damage inspected. As directed, fill the hole with approved grout and select a new location according to minimum spacing requirements. Drill a new hole (see Figure 109, page 110).**



**Holes for concrete screws are smaller than screw size. See the manufacturer's instructions for specific requirements.**

**Step 4: Clean out the hole**

Drilled holes must be cleaned before you can insert the anchor. Use clean, dry compressed air to blow out dust and debris. The type of anchor or application also may require you to use a brush.



**See the anchor manufacturer’s instructions for cleaning the hole.**



**CLEANING IS IMPORTANT: a “dirty” hole can significantly reduce an anchor’s performance.**

**Step 5: Insert the anchor**

The following anchors use different insertion methods:

- Adhesive screen anchor in a brick wall or hollow block wall (this page).
- Adhesive anchor in a hollow block wall (page 121).
- Concrete screw (page 122).
- Toggle bolt (page 122).
- Concrete anchor (sleeve anchor or wedge anchor) (page 123).
- Drywall anchor (lag bolts and sheet metal screws) (page 123).

**Adhesive screen anchor in a brick wall or hollow block wall**



**See the anchor manufacturer’s instructions before connecting the anchor to a brick or hollow block wall.**

A screen insert is shown in Figure 119 (page 121). Insert the screen in the wall. Inject the adhesive. Slowly insert the anchor with a twisting motion.



**Screens may be filled with adhesive before inserting the screen into the hole.**

For details on installing adhesive anchors in a brick wall, see Figure 120 (below). Similar installation applies to hollow block walls. Adjust the anchor by hand while the adhesive sets.



**DO NOT TOUCH THE ANCHOR WHILE THE ADHESIVE IS CURING.**



METAL SCREEN TUBES

Figure 119: Brick/block wall insert.

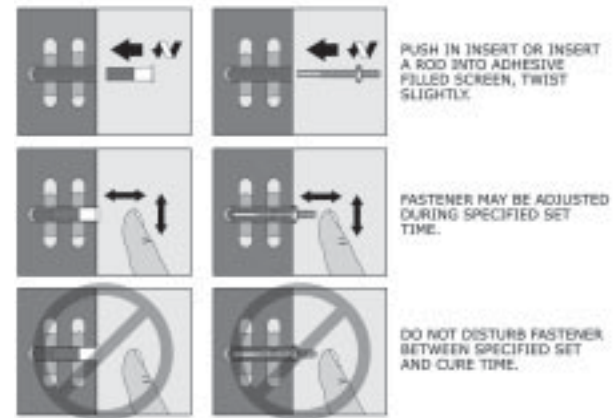


Figure 120: Brick wall adhesive anchor.

**Adhesive anchor in a hollow block wall**



**See the anchor manufacturer’s instructions before connecting the anchor to a hollow block wall.**

Push an umbrella anchor into the hole until the umbrella unfolds in the block cavity (Figure 121, page 122). Inject adhesive into the umbrella. Slowly insert stud or fastener with a twisting motion.



**DO NOT LEAK ADHESIVE ON THE THREADED PORTION OR CLEAN WITH SOLVENT. The threaded area must be free of debris to attach to a threaded rod or steel bolt.**

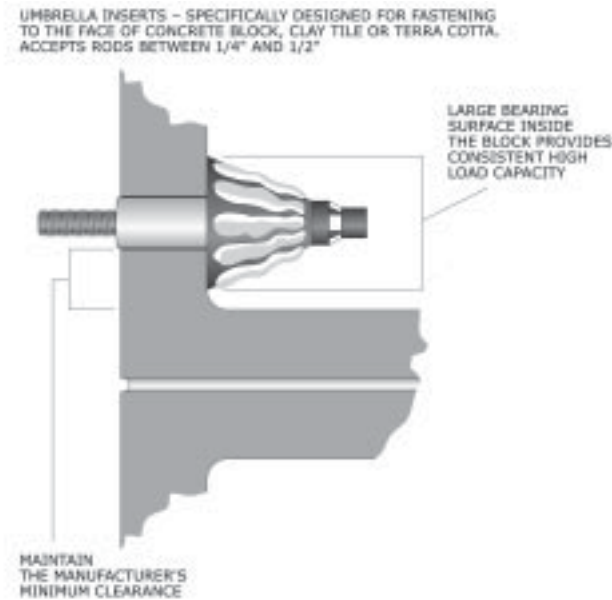


Figure 121: Umbrella anchor in a hollow block wall.

### Concrete screw

Drill bits may be specifically sized for each manufacturer, and typically are smaller in diameter than the nominal or fractional diameter of a screw. Install a concrete screw with a rotary drill and bolt the head attachment.

### Toggle bolt

Hold the toggle flat alongside the plastic straps and slide the channel through the hole. Slide the holding ring toward the wall until the channel is flush with the wall. Cut off the straps at the holding ring. Insert the bolt with a rotary drill over the bracket or equipment mounting. See Figure 122 (page 123).

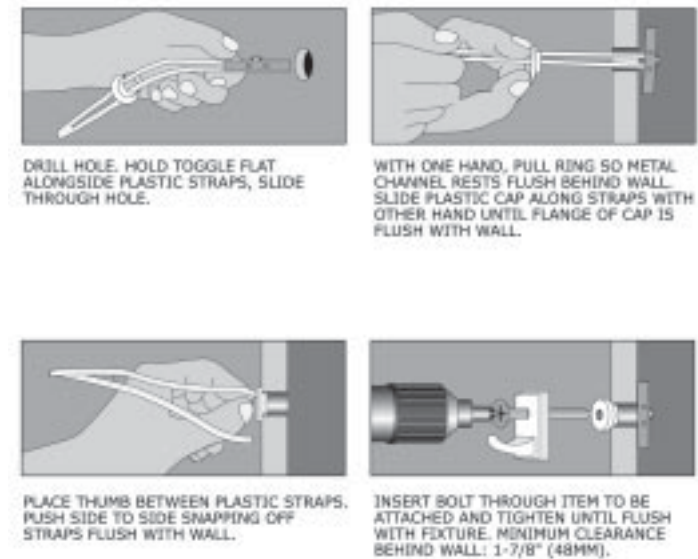


Figure 122: Toggle bolt installation.

**!** DO NOT OVER-TIGHTEN.

### Concrete anchor (sleeve anchor or wedge anchor)

Use a hammer to drive the anchor in the hole.

**!** DO NOT FORCE THE ANCHOR. If you use a hammer larger than recommended, you may damage the anchor.

To determine the embedment depth of post-installed anchors, see Figure 108 (page 110).

### Drywall anchor (lag bolts and sheet metal screws)

Use a rotary drill to insert the anchor.

**!** DO NOT OVER-TIGHTEN.



### Step 6: Set the anchor (adhesive only)

Allow enough time for the adhesive to harden and adhere to the concrete. *This may take several hours.*

### Step 7: Set the equipment and tighten the anchors



**Tighten the anchor bolt to the proper torque setting as shown in the anchor manufacturer's instructions or approved construction documents.**

In-filled block walls may have gaps in the grout fill or the grout may slightly crack, requiring anchors to be installed in the center of the cell.



**If the grout cracks severely, or if you miss a grouted block, the anchor will not tighten and will pull out. If it pulls out, move the anchor to a new centered cell location.**

END OF DETAIL.

## Power-Actuated Anchors

### Step 1: Determine type of anchor



Figure 123: Two types of power-actuated anchors.



**Authorities having jurisdiction may require a license to use power-actuated anchors.**



**Refer to the Anchor Selection Guide (page 148) for additional information.**

### Step 2: Determine where to place the fastener



**Follow the manufacturer's recommendations for minimum slab thickness and best location.**

### Step 3: Install anchor

Using tools provided by the anchor manufacturer, install the anchor at the desired location. Follow all the manufacturer's instructions. Also see Power-Actuated information in the Anchor Selection Guide (page 148).

For threaded rods, follow Step 4.

When using drive pins, install the pin with the strap or wire to complete the installation.

### Step 4: Set equipment and tighten

Tighten the anchor nuts over equipment brackets on the threaded rods.

END OF DETAIL.



## Steel Bolt Connections

The three ways to attach bolted connections are:

- Connecting the base of the equipment to an angle bolted to a concrete floor (this page).
- Bolting two structural steel shapes together (page 128).
- Bolting a threaded rod to steel shapes or strut (page 129).

### Connecting the base of the equipment to an angle bolted to a concrete floor

#### Step 1: Preparation



Determine the bolt size or sheet metal screw and material requirements from approved construction documents or the manufacturer's instructions.

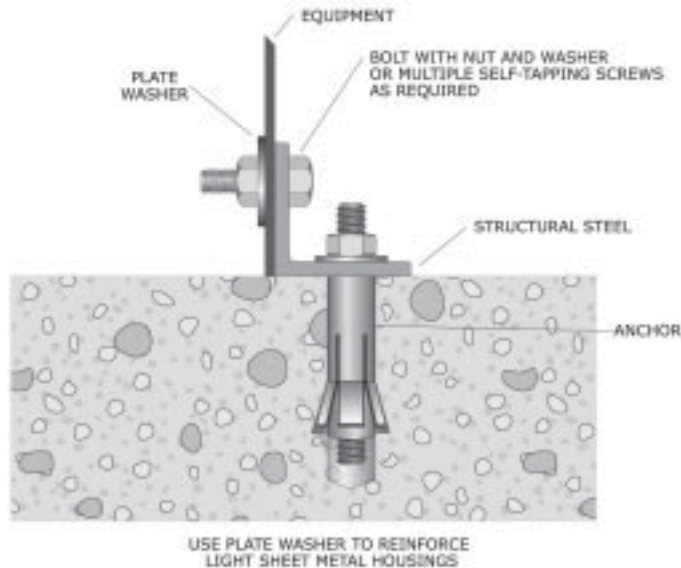


Figure 124: Bolting equipment to an angle.

#### Step 2: Locate holes

Use pre-drilled holes wherever possible. Holes may not have been pre-drilled at the attachment locations shown in the instructions. In these cases, carefully drill new holes in the correct locations.



**Use caution when drilling into equipment. Internal components can be damaged. DO NOT DRILL OVERSIZED HOLES.**

#### Step 3: Install bolts, washers, and nuts

Once the equipment is in place, apply washers and nuts and then tighten.



**Tighten the anchor bolt to the correct torque setting shown in the manufacturer's instructions or approved construction documents.**

For turn-of-nut tightening, hand-adjust the bolt snug tight where there is firm contact between the bolt and connected metal components. Hand tools may be used to bring the bolt and metal components into contact. Following contact, tighten the nut as shown below.

<i>Length of Bolt</i>	<i>Additional Tightening</i>
Up to and including 4 diameters	1/3 turn
Over 4 diameters and not more than 8 diameters	1/2 turn
Over 8 diameters and not more than 12 diameters	2/3 turn

Table 5: Turn-of-nut, hand-adjusted tightening.

**Bolting two structural steel shapes together**

**Step 1: Preparation**

 **Determine the bolt size and material requirements from approved construction documents or the manufacturer’s instructions.**

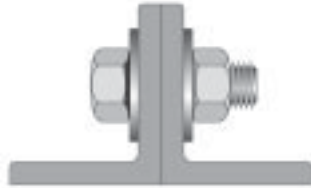



Figure 125: Bolting structural shapes.

**Step 2: Locate holes**

Carefully drill new holes in the structural steel shapes.

**Step 3: Install bolts, washers, and nuts**

Apply washers and nuts, then tighten.

 **Tighten the anchor bolt to the correct torque setting shown in the manufacturer’s instructions or approved construction documents. Use a calibrated torque wrench or turn-of-nut method (see Table 5, page 127).**

**END OF DETAIL.**

**Bolting a threaded rod to steel shapes or strut**

A threaded rod is used with suspended equipment. This section includes attachment to the equipment and attachment to the building structure (page 102).

**Step 1: Preparation**

 **Determine the threaded rod size from approved construction documents or the manufacturer’s instructions.**

The three different ways to attach the threaded rod are shown in Figure 126 (below).

**Step 2: Attach the top connection of the threaded rod**

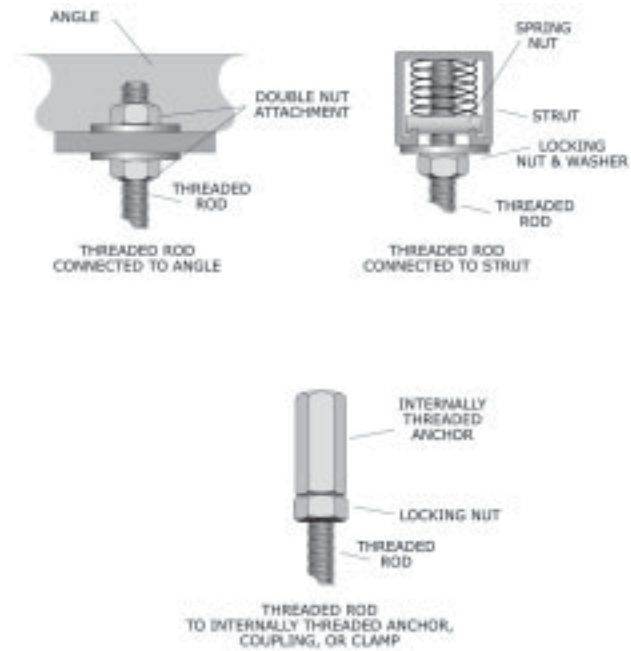


Figure 126: Attaching the top connection of the threaded rod.

## Anchors: Steel Bolt Connections

Apply washers and nuts, then tighten.



**Tighten the anchor bolt to the correct torque setting shown in the manufacturer's instructions or approved construction documents. Use a calibrated torque wrench or turn-of-nut method (see Table 5, page 127).**

### Step 3: Attach threaded rods to equipment brackets

Equipment without attachment brackets requires additional steel shapes for connections to the building structure and/or roof.

Once the equipment is in place, apply washers and nuts, then tighten.



**Tighten the anchor bolt to the correct torque setting shown in the manufacturer's instructions or approved construction documents. Use a calibrated torque wrench or turn-of-nut method (see Table 5, page 127).**

END OF DETAIL.

## Welding



**Before welding, refer to approved construction documents and specifications, seismic restraint submittals, and manufacturer's instructions.**

**Attaching equipment to embedded plates:** Plates are embedded in the concrete during the floor or wall pour. Plates are firmly held in place while the concrete is poured to maintain proper alignment and position. The size and location of the plate can be determined from construction drawings. See Figure 127 (below) for weld locations.

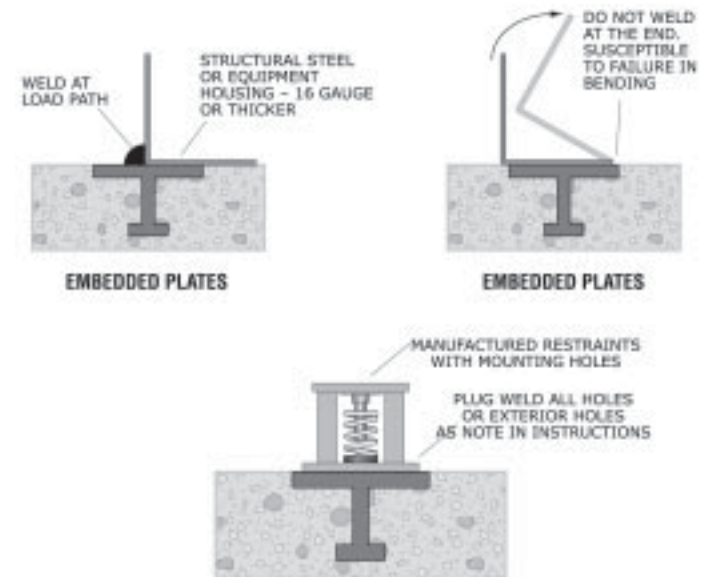


Figure 127: Welding to embedded plates.

**Attaching structural shapes and plates:** Shapes and plates are welded to provide equipment attachment. All weld base material must be thick enough for the weld size specified.

**Step 1: Determine the weld material, shape, and dimensions for each piece**

**Anchors: Welding**

**Step 2: Fit the material to ensure proper weld joint preparation**

**Step 3: Clean the surfaces**

Surfaces must be dry and free of galvanized coating, hot-dipped or rust inhibitor, paint, scale, rust, oil, grease, water, and other foreign material for a minimum of one inch from the estimated toe of the weld.

**Step 4: Weld the materials**

The weld must be as prescribed in the welding procedure specifications (WPS).

WPS for shop and field pre-qualified weld joints and weld joints qualified by test must be prepared for review and approval before fabrication. All welding procedure items such as base metals, welding processes, filler metals and joint details that meet the requirements of AWS D1.1 will be considered prequalified. Any change or substitution beyond the range or tolerance or requirements for pre-qualification will be qualified by test pre-AWS D1.1.



**DO NOT WELD OVER PAINT. You may paint after welding has cooled to room temperature.**

**Step 5: Inspect the weld**

Make sure the surface is free of slag, dirt, grease, oil, scale, or other contaminants.

Welds cannot have cracks. Adjacent layers of weld metal and base metal must be thoroughly fused together.

All craters must be filled to the full cross-section except outside the effective weld length.

Underrun must not exceed 1/16". Undercut must not exceed 1/16" for any 2" per 12" weld or 1/32" for the entire weld.

Surfaces must be free of coarse ripples, grooves, abrupt ridges, and valleys. The faces of fillet welds must be flat or slightly convex.

**END OF DETAIL.**

**Anchor Sizes for Suspended Equipment**

Rigidly attach equipment to building structure rods and cables according to Table 6 (below). Torque anchors according to the manufacturer's instructions.

<i>Vertical threaded rod</i>	<i>Quantity</i>	<i>Anchors per Rod</i>
1/2" rod with rod stiffener	One on each corner	1

<i>Rod anchor</i>	<i>Embedment (in.)</i>	<i>Minimum Edge Distance</i>
1/2" wedge	2-1/4"	3-1/2"
1/2" sleeve	2-1/4"	3-1/2"
3/8" lag bolt to wood beam	2"	2" to edge of wood and 3" from end
1/2" steel bolt	N/A	1"

<i>Cable</i>	<i>Quantity</i>	<i>Anchors per cable</i>
3/16" seismic cable	4 at 45 degrees at each corner	1

<i>Cable anchor</i>	<i>Embedment (in.)</i>	<i>Minimum Edge Distance (in.)</i>
1/2" wedge	2-1/4"	3-1/2"
1/2" sleeve	2-1/4"	3-1/2"
3/8" lag bolt to wood beam	2"	2" to edge of wood and 3" from end
1/2" steel bolt	N/A	1"

Table 6: Suspended equipment anchor sizes for rigid connections.

## SPECIAL CASES

### Cables

The three ways to assemble cable connections are by using:

- Bolts with center holes (page 135).
- Ferrule clamps (page 136).
- Wire rope grips (page 138).

Other end fittings may be acceptable.

Cables should be installed at a 45-degree slope. Where interferences are present, the slope may be a minimum of 30 degrees and a maximum of 60 degrees.

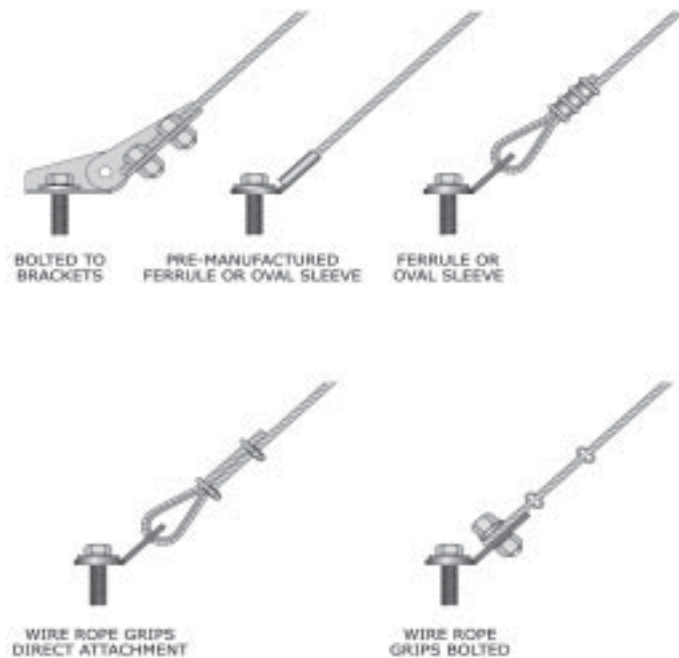


Figure 128: Cable attachments.

### Bolts with center holes

The manufacturer provides this type of cable assembly, along with the cables, mounting bolts with holes, and brackets that attach directly to the building structure or equipment frame. Assemble the cable as shown below.



Figure 129: Cable attached with bolts to a bracket.

**Step 1: Drill anchor holes in the building structure as required**

**Step 2: Attach brackets to both the building and the equipment frame**

**Step 3: Cut the cable to desired length and slide it through the holes in the bolts**

**Step 4: Tighten the cable**

For rigid connections, pull the cable hand tight. Pull the cable hand-tight and let out 1/8" slack for vibration-isolated components. Avoid using too much tension or too much slack.

**Step 5: Torque bolts**



**Refer to the manufacturer's instructions.**



**Overtorque of bolts may cause damage to cables.**

**END OF DETAIL.**

**Ferrule clamps**

Ferrule clamps may be connected to various types of attachments. Figure 130 (below) and Figure 131 (page 137) show attachments and identify the parts, ferrules or sleeves and thimbles, used in the assembly.



**Ferrules must be made of steel, zinc-plated copper, or steel alloys (including stainless steel). Do not use aluminum ferrules.**

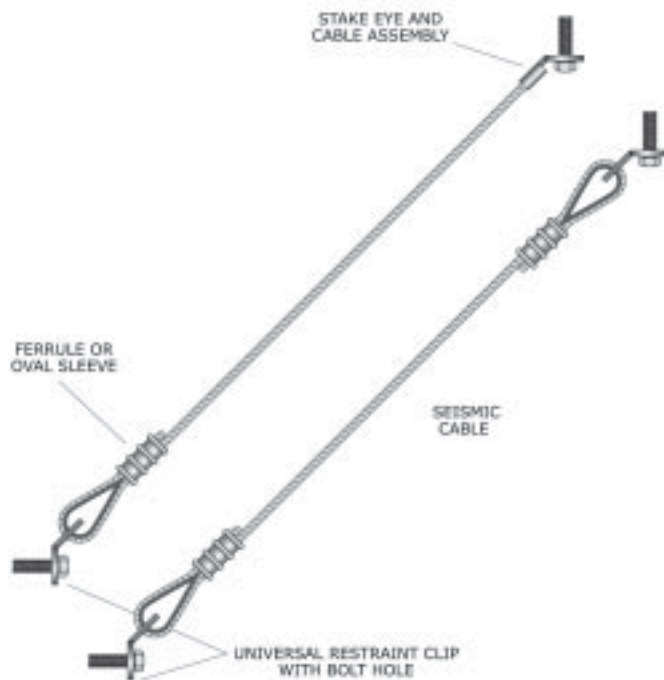


Figure 130: Ferrule assemblies.

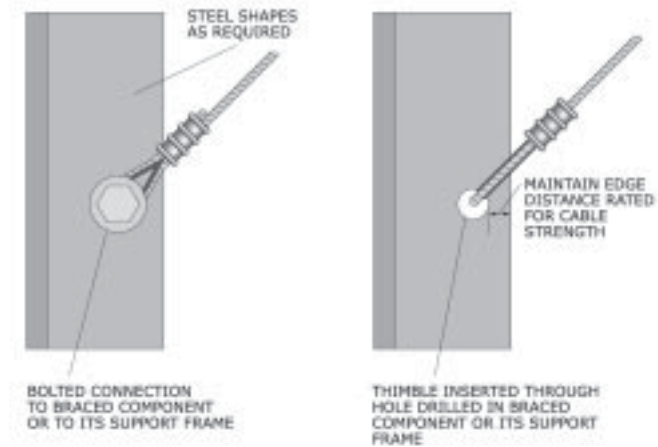


Figure 131: Ferrule attachments.

**Step 1: Install brackets with mounting holes, eye-bolts, or drill mounting holes**

Install brackets with mounting holes to the structure. Attach cables to the top of cord angles. See Attachment Details Connecting to Building Structure (page 102).

**Step 2: Cut the cable to the desired length and slide the oval ferrule (sleeve) onto the cable**

**Step 3: Wrap the cable around the thimble and pass it through the mounting bolt or holes and back through the ferrule**

**Step 4: Tighten the cable**

For rigid connections, pull the cable tight. For isolated components, leave a small amount of slack. Avoid using too much tension or too much slack.

**Step 5: Crimp the ferrule or oval sleeve two or three times as specified in the cable or ferrule manufacturer's instructions**

Use crimp tools and gauges specified by the manufacturer. Crimp and verify the depth of the crimp using a gauge.

**END OF DETAIL.**



### Wire rope grips

Installing cables attached with wire rope grips is similar to attaching ferrule clamps, as shown below.

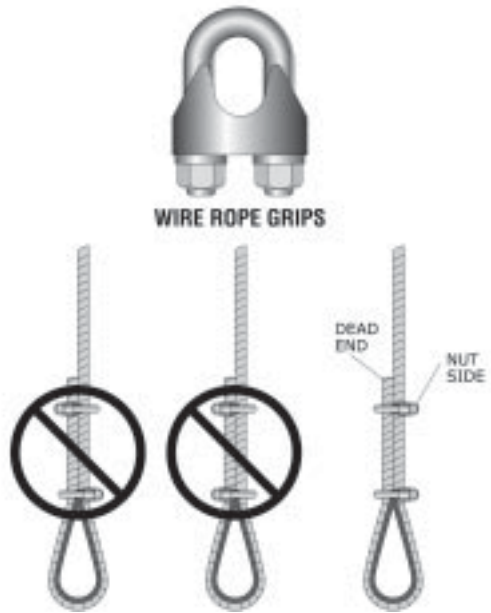


Figure 132: Wire rope grip assemblies.



**Note that the nut side must be located opposite the dead end of the cable.**

**Step 1: Install brackets with mounting holes, eye-bolts, or drill mounting holes**

**Step 2: Cut cable to the desired length and slide three wire rope grips and thimbles onto the cable**

**Step 3: Pass the cable through the mounting bolt or holes provided and then back through each of the wire rope grips**



**Use thimbles for all cable installations with wire rope grips.**

### Step 4: Tighten the cable

For rigid connections, pull the cable tight. For isolated components, leave a small amount of slack. Avoid using too much tension or too much slack.

### Step 5: Torque all bolts evenly

Use the turn-of-nut tightening method described in Step 3 of Steel Bolt Connections (page 126).



**DO NOT OVER-TIGHTEN.**

**END OF DETAIL.**

## Flexible Connections and Expansion Joints

Flexible connections are required when vibration-isolated equipment is attached to rigidly supported piping systems or ductwork.

Flexible connections are also required when rigidly mounted equipment is attached to unrestrained piping systems or to unrestrained ductwork systems.

Expansion joints are required when piping systems or ductwork span two different building structures or when entering an isolated building.

### Flexible Connectors

The four flexible connectors are:

- Rubber joint duct connector (this page).
- Braided hose pipe connector (page 141).
- Rubber hose pipe connector (page 141).
- Rubber hose connector with control rods (page 141).

 **Follow manufacturer's instructions to install connectors.**

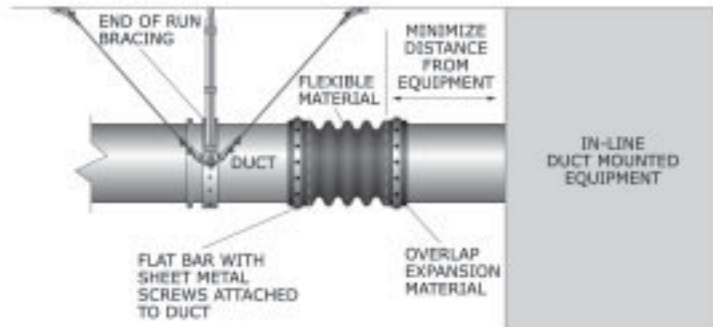


Figure 133: Rubber joint duct connector.

 **Rectangular ducts may use slip joints.**

 **End-of-run seismic braces are required at flexible connections.**

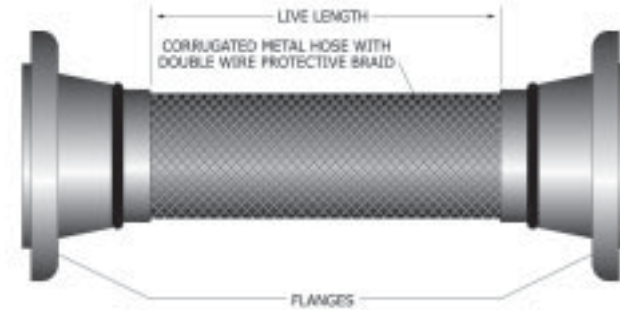


Figure 134: Braided hose pipe connector.



Figure 135: Rubber hose pipe connector.

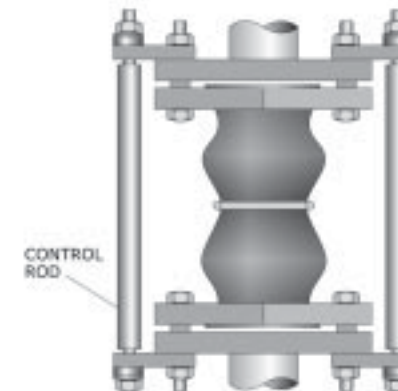


Figure 136: Rubber hose connector with control rods.

END OF DETAIL.

**Expansion Joints**

The four expansion joints are:

- Braided hose expansion joint (this page).
- Double-socket expansion joint (this page).
- Expansion joint above floor (page 143).
- Expansion joint between a separation (page 143).

**Step 1: Verify clearance allowed by expansion joint with movement of the two systems**



**Layout all attachment points before making final connections.**



**End-of-run seismic braces are required at expansion joints.**

**Step 2: Run pipe as required by approved construction documents**



Figure 137: Braided hose expansion joint.



Figure 138: Double-socket expansion joint.

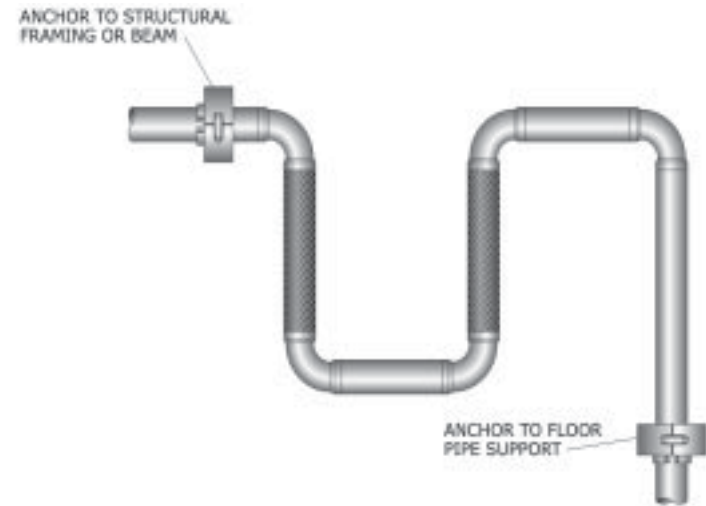


Figure 139: Expansion joint above floor.

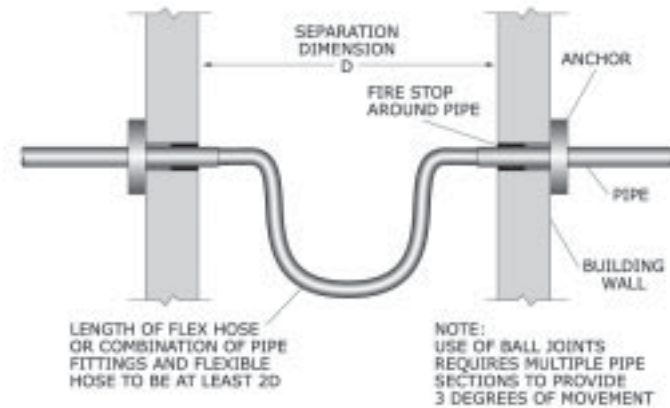


Figure 140: Expansion joint between a separation.

### Valves and Valve Actuators

There are many ways to brace valves and valve actuators. Valves usually do not require special braces and usually are required only in the horizontal direction. Approved construction documents must identify all directions of bracing required.

Rigid or flexible pipe braces near the valve are common. These braces should be installed for specifically bracing the valve and not for bracing the piping system. The piping system should have an independent bracing system.

See Pipe Bracing Details and Installation Instructions (page 54) for pipe braces that can be used near the valve bodies.

There are two types of valve bracing:

- Pipe bracing (page 145).
- Valve bracing (page 146).

Valve actuator seismic braces must be identified on the approved construction documents. These braces are typically unique and depend on the installation and type of valve actuator.

Valve actuators that are directly on top of the valve only require horizontal braces. Heavy actuators located on the side may require additional vertical braces, as detailed in:

- Valve actuator bracing (page 147).

### Pipe Bracing

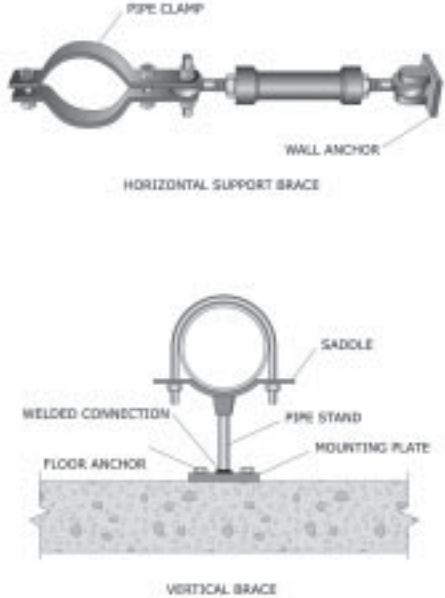


Figure 141: Pipe bracing detail.

### Step 1: Run piping as shown on the approved construction documents

 Lay out all attachment points before making final piping connections.

### Step 2: Verify lengths used for the pipe bracing

Temporarily fit bracing as necessary.

### Step 3: Attach mounting plates to the building structure

For instructions on installing anchors, see Anchors (page 107).

### Step 4: Assemble brace

END OF DETAIL.

**Valve Bracing**

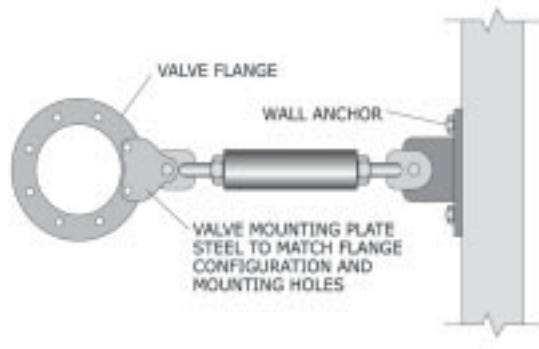


Figure 142: Transverse bracing directly attached to valve.

**Step 1: Run piping as shown on the approved construction documents**



**Lay out all attachment points before making final piping connections.**

**Step 2: Verify lengths used for the pipe bracing**

Temporarily fit bracing as necessary.

**Step 3: Attach mounting plates to the building structure**

For instructions on installing anchors, see Anchors (page 107).

**Step 4: Assemble bracing**

**END OF DETAIL.**

**Valve Actuator Bracing**

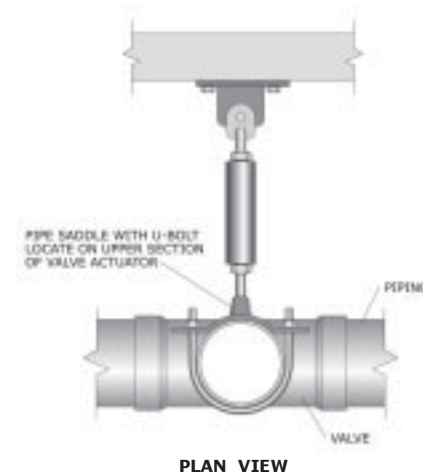


Figure 143: Valve actuator bracing.

**Step 1: Run piping as shown on the approved construction documents**



**Lay out all attachment points before making final piping connections.**

**Step 2: Verify lengths used for the pipe bracing**

Temporarily fit bracing as necessary.

**Step 3: Attach mounting plates to the building structure**

For instructions on installing anchors, see Anchors (page 107).

**Step 4: Assemble bracing**

**END OF DETAIL.**

## ANCHOR SELECTION GUIDE

Power-Actuated	
Description	Warning
<p><b>Threaded Studs</b></p> <p>Used in cases where the fastened equipment is to be removed later, or where shimming is required.</p> <p>Threaded studs for concrete have a 0.140" to 0.180" shank diameter, with typical penetration of 3/4" (minimum) to 1-1/2" into concrete.</p> <p>Threaded studs for steel plate applications have a 0.140" to 0.180" shank diameter when the steel plate thickness is 3/16" or greater.</p>	<p><b>Safety is the primary concern when using power-actuated tools (PAT). PAT tools pose the greatest risk to the operator and others in the area of use. Observe the following safety precautions:</b></p> <p>Typically not used for equipment weighing more than 40 pounds.</p> <p>Never allow a tool to be used until the operator is properly trained for the specific tool and application.</p> <p>Never use a tool unless all safety features are functioning properly.</p> <p>Always have the operator and others around wear the proper safety devices.</p> <p>Never use more powerful loads than required for the particular application.</p> <p>Always be aware of the potential of the fastener passing through the substrate or being deflected from its intended target.</p> <p>Make sure that all areas are clear behind and around the target area.</p> <p>Have an action plan in place to properly handle and dispose of misfired loads.</p> <p>Always make sure the tools are low velocity and not standard velocity. (Standard velocity tools are not typically allowed on most jobsites because of the danger.) <b>Authorities having jurisdiction may require a license to use power-actuated anchors.</b></p>
<p><b>Drive Pins</b></p> <p>Used to directly fasten equipment for permanent installation.</p> <p>Drive pins used for concrete have a 0.140" to 0.180" shank diameter, with typical penetration of 3/4" minimum to 1-1/2" into concrete.</p> <p>Drive pins for steel plate applications have a 0.140" to 0.180" shank diameter when the steel plate thickness is 3/16" or greater.</p>	

Adhesive	
Description	Warning
<p><b>Capsule Spin-In</b></p> <p>Adhesive mixes in the hole when the anchor is drilled by a rotary hammer drill only. Various strengths and types of rods or fasteners can be used. Multiple types of coatings on rods are available. Most commonly used in concrete; some might be suitable for use in other substrates. Most capsules cure quickly compared to epoxy.</p>	<p>Do not over-spin during installation. The rod must have a roof cut end with a single or double 45-degree angle/bevel for mixing. The hole must be clean and dry to achieve the maximum strength. Rod must be clean and must not be disturbed during curing. Many capsules produce strong odors during the curing process. Check the MSDS sheets or with your supervisor to determine if masks are required.</p>
<p><b>Capsule Hammer-in</b></p> <p>Adhesive mixes in the hole when the rod is driven by a hammer. Various strengths and types of rods or fasteners can be used. Multiple types of coatings on rods are available. Most commonly used in concrete; some might be suitable for use in other substrates. Most capsules cure quickly compared to epoxy.</p>	<p>The hole must be clean and dry to achieve the maximum strength. Rod must be clean and must not be disturbed during curing. Many capsules produce strong odors during the curing process. Check the MSDS sheets or with your supervisor to determine if masks are required.</p>



Adhesive (cont.)	
Description	Warning
<p><b>Epoxy</b> Used by mixing two or more components with a mixing nozzle at the point of application. Can be used with multiple forms of fasteners or as an adhesive. Many brands can be used in wet, damp, or dry conditions. Many formulas are allowed for use for USDA food processing areas. Some may be able to be used overhead. Permitted many times in freeze-thaw and severe weather conditions. Allows minimal edge distance and anchor spacing. Typical shelf life greater than that of other adhesives used for anchoring. Not as susceptible to damage from high storage temperatures.</p>	<p>Typically requires long curing times compared to that of other adhesives. Can be virtually odor free or can emit a strong odor, depending on the formula. Can be difficult to apply if the epoxy is thick. Generally not suggested for use at temperatures below 32 degrees F. Most epoxies require holes to be cleaned to obtain maximum values. Check the MSDS sheets or with your supervisor to determine if masks are required.</p>
<p><b>Acrylic Adhesive</b> Dispenses and cures quickly. Some adhesives can be used overhead. Some adhesives can be installed in damp or water-filled holes. Typically can be used with many fastening devices such as threaded rod, dowels, and anchors.</p>	<p>Many types of acrylics produce a strong odor during the curing process. Others have a minimal odor. Check the MSDS sheets or with your supervisor to determine if masks are required.</p>
<p><b>Adhesive Undercut Anchors</b> Used in heavy-duty applications where substrate is of poor quality.</p>	<p>Generally purchased from the manufacturer as a complete anchoring system. Any substitution of materials must be authorized before installation.</p>

Externally Threaded	
Description	Warning
<p><b>Heavy Duty Undercut</b> Used in heavy-duty applications. Typically two types: self-undercutting and adhesive. Self-undercutting types use a special undercutting drill bit similar to heavy-duty sleeve anchors except that they fill a cavity greater than the initial hole diameter.</p>	<p>May require special tools and specific drill bits. Typically cannot be used at variable embedment depths. Can be complicated to install. May be difficult to verify proper installation.</p>
<p><b>Wedge Anchor</b> The most common concrete anchor for heavy- to light- duty applications. Many configurations are available for most applications. Made from a variety of materials.</p>	<p>Typically designed for static loads and not used with reciprocating engines or in situations where vibrations are present.</p>
<p><b>Heavy Duty Sleeve Anchor</b> Expansion anchor for heavy-duty requirements.</p>	<p>A large hole is required for this anchor. Some anchors have metric diameters. Some have multiple parts that can be unassembled. If re-assembled improperly, the anchor may not perform properly. If the nut is removed after the stud is inserted in the hole, the stud could be partially separated from the expansion cone, causing a reduction in anchor strength, or be detached from the expansion cone, requiring anchor replacement. These conditions are not visible.</p>

Externally Threaded (cont.)	
Description	Warning
<p><b>Center Pin Anchor</b> Medium-duty expansion anchor. The anchor is correctly installed when the pin is completely inserted. Installation procedures are simple; no torque is required to set the anchor.</p>	<p>Typically designed for static loads and not used with reciprocating engines, motors or in situations where vibrations are present.</p>
<p><b>Sleeve Anchor</b> Universal anchor for light- to medium-duty applications. Multiple head designs fit many applications and can be installed in masonry.</p>	<p>A large hole is required for this anchor. Some anchors have metric diameters. Some have multiple parts that can be unassembled. If re-assembled improperly, the anchor may not perform properly. If the nut is removed after the stud is inserted in the hole, the stud could be partially separated from the expansion cone, causing a reduction in anchor strength, or be detached from the expansion cone, requiring anchor replacement. These conditions are not visible.</p>
<p><b>Concrete Bolts</b> <i>(continued on next page)</i></p> <p>Concrete bolts are recommended for use in dry interior applications.</p> <p>Concrete bolts may be acceptable in some cases for temporary use in exterior applications.</p> <p>Not all concrete bolts used in resisting earthquake or wind loads are appropriate and may be beyond the scope of the anchors abilities.</p>	<p>Maintain equal or greater than minimum edge distance spacing specified for concrete bolts or apply reduction factors if applicable.</p> <p>The embedment depth is the distance from the concrete surface to the bottom of the screw anchor.</p> <p>Maintain minimum slab thickness.</p> <p>Use ONLY a specific manufacturer's recommended method of installation.</p>

Externally Threaded (cont.)	
Description	Warning
<p><b>Concrete Bolts</b> <i>(cont.)</i></p> <p>Concrete bolts should not be subjected to vibratory loads such as those encountered by supports for reciprocating engines, crane loads, and moving loads.</p> <p>Concrete bolts are limited to installation in uncracked concrete masonry. Cracking may occur from anchor location in tension zone of concrete member, and anchors subjected to seismic loads, wind loads, or moving loads.</p> <p>Concrete bolts are limited to non-fire-resistive construction unless appropriate data is submitted demonstrating that anchor performance is maintained in fire-resistive situations.</p>	<p>NEVER substitute one manufacturer's concrete bolt installation instructions for another manufacturer's instructions.</p> <p>DO NOT ASSUME one manufacturer's instructions are the same as another manufacturer's instructions.</p> <p>Some manufacturers use different diameter drill bits for the same nominal diameter concrete bolt. Use the proper diameter drill bit before installation. When a specific screw anchor manufacturer's drill bit diameter is not used, a reduction of capacity must be accounted for in the calculations. Other manufacturers may <i>recommend</i> the use of ANSI B212 matched diameter drill bits for use with their concrete bolts.</p> <p>Some manufacturers may allow power tools for installation and others may not. Some screw anchor manufacturers recommend not using an electric impact wrench when re-using the same hole. Some manufacturers allow piloting a new anchor hole; 1 or 2 additional applications or re-uses are possible. If the manufacturer allows the screw anchor to be reused, inspect for excessive wear or the capacity of the screw anchor.</p>

Internally Threaded	
Description	Warning
<p><b>Internally Threaded Undercut Anchor</b></p> <p>Used in heavy-duty applications. Typically come in two types: self-undercutting and those using a specialized undercutting drill bit. Anchors have internal threads. Shallow embedment and small edge distances and spacing are possible.</p>	<p>May require special tools and specific drill bits. Typically cannot be used at variable embedment depths. Can be complicated to install. May be difficult to verify proper installation.</p>
<p><b>Shell Anchor</b></p> <p>Flush-mount or sub-surface internally threaded anchor for medium- to light-duty applications. Comes in fractional and metric sizes and is available in a variety of materials.</p>	<p>A special setting tool is required and must be supplied by the anchor manufacturer. The setting tool is designed for each anchor size and style.</p>
<p><b>Others</b></p> <p>Similar to the wedge concrete anchor and used in heavy- to light-duty applications. Many configurations are available to fit most applications. Made from a variety of materials.</p>	<p>Typically designed for static loads and not used with reciprocating engines or in situations where vibrations are present.</p>

Light Duty Fastenings	
Description	Warning
<p><b>Drive Pin (nail) Anchors (metal and plastic)</b></p> <p>Light-duty anchor with fast and easy installation in many substrates.</p>	<p>Use only for static loads. Typically not used in overhead applications.</p> <div style="background-color: red; color: white; text-align: center; padding: 5px;"><b>DO NOT USE FOR SEISMIC RESTRAINT</b></div>
<p><b>Concrete Screws Medium- to Light-Duty</b></p> <p>A variety of lengths and diameters are available. Often used for temporary anchorage.</p>	<p>Typically not used in situations where extensive vibrations are present. Requires the use of a special drill bit (some metric) supplied by the anchor manufacturer.</p>
<p><b>Special Style Head Wedge (ring) anchor</b></p> <p>Wedge anchor with integrated connection (head) designed for tie wires or suspended ceilings.</p>	<p>Typically designed for static loads and not used with reciprocating engines or in situations where vibrations are present.</p>
<p><b>Single and Double Expansion Shields</b></p> <p>Multi-purpose anchor used in concrete, Concrete Masonry Unit (CMU), brick, or stone. This anchor distributes fairly even pressure, making its use popular in CMU, brick, and natural stone. Typically used in conjunction with machine bolts, which can be removed and replaced.</p>	<p>Anchor material is malleable and the threads can be stripped.</p> <div style="background-color: red; color: white; text-align: center; padding: 5px;"><b>DO NOT USE FOR SEISMIC RESTRAINT</b></div>

Light Duty Fastenings (cont.)	
Description	Warning
<p><b>Lead Expansion Anchors</b> Similar to expansion shields, but typically considered light-duty. Many can be used with a variety of screws or bolts. Quick and simple to install. Can be used in concrete, CMU, brick, or stone.</p>	<p>Anchor material is malleable and the threads can be stripped. Anchor should not be used in any applications.</p> <div style="background-color: red; color: white; text-align: center; padding: 5px; font-weight: bold; font-size: 1.2em;">DO NOT USE FOR SEISMIC RESTRAINT</div>
<p><b>Toggle or “Molly”-type Anchors</b> Light- to medium-duty anchor with easy installation in many substrates. No drilling is required for some anchor types or in some substrates. Some anchors are supplied with bolts or screws. Anchors are made from variety of materials and colors including plastic, zinc alloys, and steel.</p>	<p>May require a large hole. Anchor may or may not be reusable if the bolt is removed. Severe damage to the substrate can result if these anchors are removed after installation.</p>

## GLOSSARY

- A** **Adhesive anchor** – A smooth or deformed steel bar or threaded rod, set in a predrilled hole in hardened concrete or masonry (including masonry units and mortar joints) that derives its holding strength from a chemical bonding compound placed between the wall of the hole and the embedded portion of the anchor.
- Anchor** – A device for connecting equipment and attachments to the building structure.
- Attachments** – Support systems used to connect equipment, pipe, conduit, or ductwork to the building.
- Attachment type** – Use of attachments to floors, walls, roofs, ceilings, and vibration isolators.
- B** **Bar joist** – Ceiling joists supporting intermediate floors or roof made from steel angles and steel bars.
- Base plate** – A steel plate used for support and anchorage of an angle support or vibration isolator.
- Bed joint** – A horizontal seam in a brick or concrete block wall. Also see **Head joint**.
- Bolt diameter** – Thickness or width of the outside of the threaded portion of the bolt.
- Building structure** – Steel, concrete, masonry and wood members or surfaces that transfer the weight of the building and equipment to the ground.
- Bumpers** – Angles or other steel shapes with elastomeric padding rigidly mounted to the building structure in a pattern around the equipment base to limit horizontal movement.
- C** **Cable brace** – A steel cable designed for use as a seismic sway brace for suspended equipment, piping, ductwork, or raceways. Also see **Pre-stretched cable**.
- Cant strip** – A material used to fill voids in roof flashing.
- Cantilevered** – A support member connected at one end and unsupported at the other end.

**Cast-in-place** – A steel shape embedded into concrete.

**Cast-in-place anchor** – A headed steel bolt set within a concrete form before concrete is poured.

**Cold joint** – An edge between two concrete surfaces.

**Construction documents** – Drawings, specifications, and manufacturer’s instructions (approved by the appropriate design professional) that define the scope of a project and provide detailed information to seismically restrain the equipment, piping, ductwork, or raceways. Also known as blue prints.

**Counter flashing** – A light-gauge sheet metal folded support or equipment frame to shed water or snow onto the roof.

**Curb** – Raised or enclosed framework that supports equipment.

**Cure** – To gain internal strength over time to withstand external forces.

**Cure time** – The total time it takes for the material to be at an absolute full load capacity.

**D** **Design professional** - The responsible party, recognized by the authority having jurisdiction, working within their scope of qualifications and providing design services.

**Differential movement** – The movement between two objects or surfaces.

**E** **Edge distance** – The distance between a concrete anchor and the edge of a concrete surface or concrete cold joint.

**Elastomeric** – A material with flexibility in all directions that will return to its original shape if removed from its environment.

**Elastomeric pad** - A resilient natural or synthetic rubber like pad used to reduce sound, shock and high frequency vibrations.

**Embedded plate** - A steel plate set into concrete to permit a welded attachment.

**Embedment** – How far a post-installed anchor is inserted into a hole in concrete or wood after the anchor is set in place and torqued.

**Embedment depth** – See **Embedment**.

**Enclosure** – A case or housing to protect electrical components.

**Equipment** – Any mechanical or electrical component.

**Expansion anchor** – A post-installed anchor that uses some form of wedge or shell held against the edge of a drilled hole with friction.

**F** **Ferrule** – A small metal tube that can be crimped around steel cables.

**Fiberglass pad** - A pad with a core of resilient fiberglass material covered by a moisture resistant resilient shell used to reduce sound, shock and high frequency vibrations.

**Fillet weld** – A weld between two pieces of steel where the welded surfaces are at right angles.

**Flashing** – Metal, asphalt, or elastomeric material with one or more layers surrounding a roof penetration specifically designed to weatherproof the building.

**Flexible connector** – A connector designed to allow slight movement between a piece of equipment, component, or system and another system in the event of an earthquake.

**Flexible mounted equipment** – A piece of equipment supported on or from a vibration isolator.

**G** **Gel time** – A specified amount of time for an adhesive to form a jelly-like substance with strength to hold its own weight or the weight of a light steel anchor.

**Grommet** – A rubber or elastomeric bushing-shaped ring that may be used in restrained springs, snubbers, or with bolts to provide a cushioned or flexible connection.

**Groove joint** – A mechanical connection between two pipe sections using a tongue-and-groove configuration and elastomeric gasket.

- H** **Hand tight** – The force applied by hand or with hand tools to bring two or more materials firmly in contact without a space.
- Head joint** – A vertical joint between two concrete blocks in a block wall or two bricks in a brick wall. Also see **Bed joint**.
- Headed stud** – A large bolt with a threaded shaft and a hexagonal-shaped bolt head typically used for embedment into concrete surfaces or in-filled concrete walls.
- Height-saving bracket** – A bracket used to accommodate the height of spring isolators without raising the equipment base more than a few inches.
- Housed spring** – A spring isolator with steel guides usually separated by an elastomeric sheet located on two opposite sides of the spring.
- Housed spring isolator** – A steel coil spring designed to be loaded in compression along the axis of the spring. Housed springs have a two-piece housing and mounting stud for the purpose of leveling equipment. The housing has limited lateral restraining capabilities and cannot resist uplift.
- Housekeeping pad** – A concrete pad under equipment that raises the elevation of the equipment above the building structure or structural slab.
- I** **Inertia base** – A heavily weighted base, usually made of concrete, that weighs more than the equipment it supports.
- In-filled block** – A concrete block wall whose cells are reinforced with rebar and filled with a sand-grout mixture.
- Inlet** – The location or connection to equipment where a substance such as water or air enters the equipment.
- In-line equipment** – Equipment connected to ducts or pipes allowing the continuous flow of the medium inside the ducts or pipes.
- Isolators** – See **Vibration isolators**.

- L** **Leveling stanchions** – See **Stanchions**.
- Load path** – Seismic support of equipment and internal components that can be traced through connections and support steel to the building structure.
- Load transfer angles** – Angles bolted to equipment and to the building structure, transferring the weight and earthquake load through the angles to the building structure.
- Longitudinal brace** – A brace that restrains pipes, ducts, or raceways parallel to the longitudinal direction of the pipe, duct run, or raceway.
- M** **Moment-resistant** – The ability of an object to resist a force that would cause its rotation or movement around a point or axis.
- N** **No-hub pipe** – Pipe designed for connections that do not interlock or permanently join.
- Nominal diameter** – The diameter across the outermost edges of a bolt or threaded rod.
- O** **Open spring** – A spring isolator with a bolt attachment at the top of the spring for connecting to equipment without any horizontal support.
- Open spring isolator** – A steel coil spring designed to be loaded in compression along the axis of the spring. Open springs have a plate or cup on the bottom and top with a mounting stud.
- Outlet** – The location or connection to equipment where a substance such as water or air exits the equipment.
- Oversized hole** – Bolt holes greater than standard bolt holes allowed by industry standards.
- P** **Pitch pocket** – The frame on a roof contouring the sealing material protecting the penetrations or surface-mounted equipment supports on an unprotected building structure.



**Plenum** – An enclosed space usually made from galvanized sheet steel allowing airflow from one duct system to another; the entrance to and/or exit from a fan or air handling unit.

**Plug weld** – The weld of a plate or base plate to another metal surface where a plate is perforated with one or more holes, which are then filled with the weld filler material.

**Point load** – Weight and seismic forces that are focused to a single point connection to the building structure.

**Post and beam** – An elevated structure usually made from beams resting on posts or stanchions connected to the building structure.

**Post-installed anchor** – Anchors installed after the concrete has reached its specified strength.

**Post-tension (pre-stressed) building** – A concrete building structure surface with internal steel cables that are stretched and restrained to permanently compress the concrete surface.

**Pre-stressed beam** – A concrete beam bonded to steel in tension in the form of a beam.

**Pre-stretched cable** – Cable that is stretched after it is manufactured.

## R

**Rated spring deflection** – The dimension a spring will compress when the weight of equipment is applied.

**Rehabilitation** – A new installation within an existing facility.

**Restrained elastomeric mount** – An elastomeric mount with an integrated seismic restraining mechanism that limits movement in all horizontal and vertical directions

**Restrained spring** – A vibration isolator containing a spring enclosed in a welded or bolted steel housing that limits the movement of the spring equipment attachment in all directions.

**Restrained spring isolator** – A steel coil spring designed to be loaded in compression along the axis of the spring. Restrained springs have a housing with integrated seismic restraining mechanisms, which limit movement in all horizontal and vertical directions.

**Rigid-mounted equipment** – Equipment solidly braced or bolted directly to the building structure without vibration isolation.

## S

**Screen** – A tube of steel wire mesh used as an adhesive anchor for anchoring to block or brick walls.

**Seismic cable** – A steel or stainless steel braided rope.

**Seismic restraint device** – An attachment device designed to restrict movement of equipment during an earthquake.

**Seismic restraint device submittals** – Documents created by contractors or vendors describing the means and methods for installing seismic restraint devices and submitted for design approval.

**Seismic rod clamp** – A clamping device for attaching rod stiffeners to a vertical threaded rod.

**Seismic separation joint** – A space provided between buildings or portions of a building to prevent contact caused by differential movement during an earthquake. For piping, ductwork and conduits crossing the seismic joint, the systems are connected with a flexible component that allows for differential movement at least twice the width of the seismic separation joint.

**Self-drilling** – A special type of concrete shell anchor with cutting teeth for drilling into concrete.

**Self-tapping** – Either a sheet metal screw with blades on the end (similar to a drill bit), allowing the screw to drill a hole and embed itself into a steel shape, or a concrete screw with a point and specially designed threads allowing the screw to grip the concrete and embed itself into the concrete.

**Set time** – The specific time required for material to harden when a light load may be applied.

**Shallow concrete anchor** – Any anchor with an embedment depth measuring less than 1/8th of its diameter.

**Sheet steel housings** – Sheet steel that fully or partially encloses a piece of equipment.

**Shim** – A thin wedge of material used to fill a space.

**Snubber** – A seismic restraint device used on isolated systems with an air gap and elastomeric bushing or oil-filled hydraulic cylinder (shock absorber) restricting the rapid motion of a pipe.

**Snug tight** – The force applied by hand or hand tools to bring two or more materials firmly in contact without a space.

**Solid brace** – A steel angle or strut channel designed for use as a seismic sway brace for suspended equipment, piping, ductwork, or raceways.

**Spring-isolated** – See **Vibration-isolated**.

**Stanchions** – Columns or short structural steel shapes placed vertically that connect to equipment bases or horizontal structural steel frames to provide equipment support.

**Structural steel shapes** – A manufactured steel component in a variety of shapes.

**Strut** – A manufactured steel shape in various U-shaped patterns and sizes.

**Strut frame** – Steel framing made from strut members that act as a support to transfer the equipment weight to the building structure. See **Strut**.

**Sway brace** – Solid braces or cable braces that provide seismic restraint.

**T** **Tendons** – Steel cables used in post-tension buildings. Also see **Post-tension building**.

**Thimble** – A metal spacer used on a cable to protect it from being bent and damaged.

**Transverse brace** – A brace that restrains pipes, ducts, or raceways perpendicular to the longitudinal direction.

**Toe of the weld** – The edge of a fillet weld.

**Torque** – A turning force around a bolt applied by twisting a bolt head or nut so the components will not separate.

**Turn-of-nut method** – A process to properly torque a bolt without a special tool like a calibrated torque wrench. See **Hand tight** and **Snug tight**.

**V**

**VAV boxes** – A terminal unit or plenum with an internal damper and control actuator that can vary airflow quantities.

**Vibration-isolated** – Used to describe a system that is separated from the building structure with devices designed to reduce vibration and noise transmission into the building structure.

**Vibration isolators** – Components containing resilient elements such as steel springs, air springs, molded pre-compressed fiberglass or elastomeric pads used to separate vibrating equipment, piping and ductwork from the building structure.

**W**

**Web** – A thin metal strip in a structural steel shape.

**Weld base material** – The material composition of an item being welded.

**WPS** - Weld Procedure Specification is required for all welding in accordance with American Welding Society D1.1. The WPS defines the essential variables and their limits for the weld and must be in the vicinity where the weld is occurring.

## INDEX

## A

acceptable gap 113  
 actuators 14, 144-147  
 air separator 14, 99-100  
 all-directional bracing 19, 27, 30, 32, 36, 39, 63  
 anchor 156
 

- adhesive 107, 108-113, 117, 120-122, 149-150
- cast-in-place 107, 114
- concrete bolt 107, 152-153
- concrete screw 107, 117, 118, 122
- drywall 117-124
- embedded plates 107, 131
- externally threaded 151-152
- gap 113
- general 107-113
- internally threaded 154
- lag bolts 107, 115-116, 123
- light-duty fastenings 155-156
- masonry 107, 118-125
- non-adhesive 108
- post-installed 162
- power-actuated 125, 148
- sheet metal screw 117, 123
- shell 107, 108-113
- sleeve 107, 110, 117, 118, 123
- steel bolt 107, 126-130
- through-bolt 117
- toggle bolt 117-118, 122
- umbrella 117, 118
- undercut 107, 108-113
- wedge 107, 110, 117, 118, 123
- welding 131-132

 anchor selection guide 148-156  
 angle 42, 48, 56, 58, 60, 61, 66, 77, 89, 95, 106, 128  
 attachment types
 

- duct 16-53
- pipe 54-83
- suspended equipment 84-101
- to building structure 102-106

## B

bar joist 104  
 block walls 118-124  
 bracing
 

- all-directional 19, 27, 30, 32, 36, 39, 63
- cable 17-22, 26-27, 29-31, 34-35, 39-40, 57, 62, 63, 67, 85-87, 90-92, 105
- duct, selection 8-9
- in-line duct equipment 10-11
- in-line pipe equipment 14-15
- layout 3-7
- longitudinal 6-7, 17, 23, 27, 29, 34, 61, 62
- non-moment-resistant 24, 38
- pipe, selection 12-13
- steel shaped 20-21, 23-24, 32-33, 36, 37, 88-89, 95-96, 106
- strap 25, 37
- transverse 5-7, 18, 20, 21, 23, 26, 29, 30, 32, 34, 39, 56, 57, 58-59, 60
- trapeze 66-67, 71, 72, 75
- vibration isolation 26-27, 39-40

 bracket 78, 114  
 brick walls 122  
 brittle valve bodies 15  
 building structure, attachment to 102-106  
 bumpers 156

## C

cable 134-139
 

- assemblies 134-139
- bolts with center holes 135
- bracing 17-22, 26-27, 29-31, 34-35, 39-40, 57, 62, 63, 67, 85-87, 90-92, 105
- ferrule clamps 134, 136-137
- wire rope grips 138-139

 chase-mounted ducts 47-49  
 clevis hangers 55-59  
 coil 10  
 concrete
 

- bolt 107
- drilling 109-111

connectors, flexible 140-141  
 cross bracing 45  
 curb 44, 45  
 curing 112

## D

dowel  
 duct bracing
 

- chase-mounted 47-49
- floor-mounted 8-9, 41-43
- identifying 8
- installation 16-53
- isolated 39
- layout 3-7
- moment-resistant 24, 38
- mounted equipment 10-11
- penetrations 8-9, 50-53
- pre-manufactured 44
- rectangular, suspended 8-9, 16-27
- roof-mounted 8-9, 44-46
- round, suspended 8-9, 28-40
- run 4-7
- seismic, exceptions 3
- selection 8-9
- vibration-isolated 26-27, 39-40
- wall-mounted 8-9, 47-49

## E

electronic actuator 14  
 embedment depth 158  
 embedded plates 107, 131  
 equipment
 

- in-line duct-mounted 10-11
- in-line pipe-mounted 14-15
- suspended, attachment 84-101

 expansion joints 142-143

## F

fan-coil unit 11  
 ferrule clamps 134, 136-137  
 fire damper 10  
 fire barriers, crossing 9

flashing 51, 158  
 flexible connectors 140-141  
 floor-mounted
 

- ducts 8-9, 41-43
- pipng 12-13, 70-72

## G

gap, *see acceptable gap*  
 grouted plate 113

## H

heat-exchanger 14, 100-101  
 hole
 

- cleaning 111
- clearance 116
- depth 110
- drilling 109-111

 humidifier 10

## I

in-line
 

- air separator 99-100
- duct-mounted equipment 10-11
- fan 11
- heat exchanger 100-101
- pipe-mounted equipment 14-15
- pump 97-98

 interior penetrations
 

- duct 8-9, 52-53
- pipe 12-13, 82-83

## L

lag bolts 107, 115-116, 117, 123  
 longitudinal bracing 6-7, 17, 23, 27, 29, 34, 61, 62, 160

## M

masonry and drywall anchors *see anchors*  
 motorized damper 10

**N**

non-moment-resistant 24, 38

**P**

penetrations

- duct 8-9, 50-53
- interior 8-9, 12-13, 52-53, 82-83
- pipe 12-13, 79-83
- roof 8-9, 12-13, 50-51, 79-81
- weatherproofing 9, 13

pipe bracing

- double-roller support 68
- floor-mounted 70-72
- identifying 12
- installation 54-83
- isolated 65, 81
- layout 3-7
- moment-resistant
- offset 4
- penetrations 70-83
- pre-manufactured 78
- mounted equipment 14-15
- roof-mounted 73-75
- runs 4-7
- seismic, exceptions 3
- selection 12-13
- suspended 54-69
- transverse bracing 5
- vibration-isolated 65
- wall-mounted 76-78

pipe clamps 60-62

pitch pocket 45

**R**

rod

- hangers 58, 60, 61, 62, 63
- stiffeners 86
- threaded 129
- vertical 17, 18, 19, 20, 26, 27, 29, 30, 32, 39

roof-mounted

- duct 8-9, 44-46
- pipe 12-13, 73-75

roof penetrations

- duct 8-9, 50-51
- pipe 12-13, 79-81
- weatherproofing 9, 13

**S**

screen insert 121

silencer 11

seismic

- bracing exceptions 3
- joints 140-143
- separations, crossing 9

sheet steel 162

special cases

- cables 134-139
- seismic joints 140-143
- valve and valve actuators 144-147

stanchion 163

steel bolt connections 126-130

steel shaped bracing 20-21, 23-24, 32-33, 36, 37, 88-89, 95-96, 106

strap support 25, 37

strut 43, 56, 58, 60, 61, 66, 71, 77, 89, 106

suspended attachments

- anchor sizes for 133
- ducts 16-40
- equipment 84-101
- pipng 54-69
- rectangular ducts 16-27
- round ducts 28-40

**T**

thimble 136-137

threaded rods

- attaching top connections 129

transverse bracing 5-7, 18, 20, 21, 23, 26, 29, 30, 32, 34, 39, 56, 57, 58-59, 60

- locating 5

- spacing limitations 5

trapeze support 66-67, 71, 72, 75

turn-of-nut method 127

## Index

### V

valves 14, 144-147  
valve actuator 14, 144-147  
VAV terminal 11  
vertical supports 4  
vibration isolation 26-27, 39-40

### W

wall-mounted attachment  
  duct 8-9, 47-49  
  pipe 12-13, 76-77  
webs 164  
welding 131-132  
wire rope grips 138-139  
wood  
  blocking support 74  
  beam construction 103